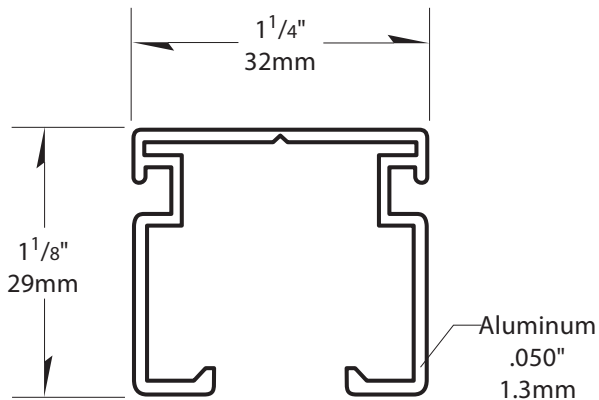
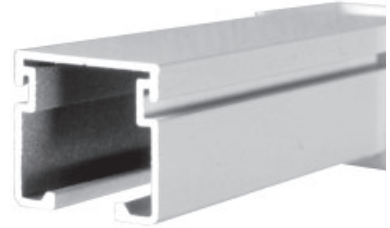


# Ultra Cube®

## Cubicle Track

---



- Heavy duty extruded aluminum track with durable clear anodized aluminum or white baked acrylic enamel finish
- Versatile track can be used with IV Bag Holders and Safety Loading Unit
- Exclusive Gridclips allow fastening of the track to suspended ceilings without the use of screws or backing
- Color-matched splices, end caps and bends available for quick on-site installation
- Manufactured in 7' (2.1m), 8' (2.44m), 9' (2.74m), 12' (3.66m) or 16' (4.88m) lengths to accommodate any application

IPC.500/REV.15

# Ultra Cube® Cubicle Track

## Suggested Specifications

### PART 1 - GENERAL

#### 1.01 SUMMARY

##### A. Cubicle Tracking Systems

#### 1.02 SECTION INCLUDES

##### A. Ultra Cube Cubicle Tracking System

##### 1. Overhead metal curtain track and guides

##### 2. Track accessories and attachments

#### 1.03 SUBMITTALS

##### A. Product Data: Manufacturer's printed product data for each type of cubicle tracking system specified.

##### B. Detail Drawings: Mounting details with the appropriate fasteners for specific project substrates.

##### C. Samples: Verification samples of cubicle track, 4" (102mm) long, in full size, with carriers and end cap.

##### D. Manufacturer's Installation Instruction: Printed installation instructions for each cubicle tracking system.

#### 1.04 DELIVERY, STORAGE AND HANDLING

##### A. Deliver materials in unopened factory packaging to the jobsite.

##### B. Inspect materials at delivery to assure that specified products have been received.

##### C. Store in original packaging in a climate controlled location away from direct sunlight.

#### 1.05 PROJECT CONDITIONS

##### A. Environmental Requirements: Products must be installed in an interior climate controlled environment.

#### 1.06 WARRANTY

##### A. Standard Clickeze® Limited Lifetime Warranty against material and manufacturing defects.

### PART 2 - PRODUCTS

#### 2.01 MANUFACTURER

##### A. Acceptable Manufacturer:

Clickeze® Privacy Systems, Inpro Corporation,  
PO Box 406 Muskego, WI 53150 USA;  
Telephone: 800.222.5556, Fax: 888.715.8407,  
www.inprocorp.com

##### B. Substitutions: Not permitted

##### C. Provide all cubicle tracking systems from a single source.

#### 2.02 TRACK MATERIAL

##### A. Cubicle Tracking System

##### 1. Ultra Cube, heavy duty extruded aluminum cubicle track with clear anodized aluminum or white baked acrylic enamel finish. Aluminum shall be 6063-T5. Dimensions: height 1 1/8" (29mm), width 1 1/4" (32mm).

##### a. White baked acrylic enamel finish

CE800007 - 7 foot length (2.1m)

CE800008 - 8 foot length (2.44m)

CE800009 - 9 foot length (2.74m)

CE800012 - 12 foot length (3.66m)

CE800016 - 16 foot length (4.88m)

##### b. Clear anodized finish

CE800007-AN - 7 foot length (2.1m)

CE800008-AN - 8 foot length (2.44m)

CE800009-AN - 9 foot length (2.74m)

CE800012-AN - 12 foot length (3.66m)

CE800016-AN - 16 foot length (4.88m)

##### 2. Bent sections: Provide factory bent track sections with one-foot radii to mate with straight track sections:

##### a. White baked acrylic finish

CE8061 - 1' x 1', 60° bend

CE8042 - 2' x 2', 45° bend

CE8092 - 2' x 2', 90° bend

CE8093 - 3' x 3', 90° bend

CE8094 - 4' x 4', 90° bend

CE8094 - 54" radius, 7' arch length

##### b. Clear anodized finish

CE8061-AN - 1' x 1', 60° bend

CE8042-AN - 2' x 2', 45° bend

CE8092-AN - 2' x 2', 90° bend

CE8093-AN - 3' x 3', 90° bend

CE8094-AN - 4' x 4', 90° bend

CE80954-AN - 54" radius, 7' arch length

#### 2.03 TRACK COMPONENTS

##### A. Track Attachment: Provide appropriate attachment accessories as required for ceiling grid members.

##### 1. Flush Gridclip: Flush panel T-bar gridclip;

CE9270 - Standard

CE9272 - Swivel

CE9274 - Suspended Support Set

CE9274-AN - Suspended Support Set, Anodized

##### 2. Tegular Gridclip: Tegular edge gridclip;

CE9271 - Standard

CE9273 - Swivel

CE9275 - Suspended Support Set

CE9275-AN - Suspended Support Set, Anodized

##### B. Track Splice: Provide extruded aluminum splice to join track sections.

CE8SPICE - Track Splice

CE8SPICE-AN - Track Splice Anodized

##### C. End Caps: Provide molded thermoplastic end caps for end of track section.

CE9080 End Cap, white

CE9100 End Cap with hook, white

CE9080-AN End Cap, gray

CE9100-AN End Cap with hook, gray

##### D. Wands: Provide wand to move curtain along the track.

CE9224: Adjustable Chain Wand 24" (609mm)

CE100702: Drapery Wand 33"

CE100679: Drapery Wand 36"

CE100698: Drapery Wand 48"

##### E. Safety Loading Unit: Provide loading unit to splice fit with standard 5ft. (1.52m) track section and allow quick and safe curtain replacement. Unit includes durable hinge, locking mechanism and wand operation.

CE8620 - Safety Loading Unit, white baked acrylic enamel finish

CE8620-AN - Safety Loading Unit, Clear anodized finish

##### F. Angle Bracket: Provide Angle bracket for level support on suspended ceiling.

CE8622 - Angle Bracket

##### G. Operating Wand: Provide 45" (1.14m) long wand to lock and unlock safety loading unit from latch. One wand per 20 or fewer safety loading units.

CE8621 - Operating Wand

##### H. Latch Suspension Support Set: Provide support set to be installed above latch assembly on suspended ceilings where angle bracket cannot be used.

CE8623 - Support Set

##### I. Suspended Track Sets: Provide support set sized to support loads, designed to receive attachment from track support.

CE8500 - Hard Ceiling Support Brackets

CE8500-AN - Hard Ceiling Support Brackets, Anodized

##### J. Sloped Ceiling Support Set Brackets: Provide brackets to mount to angle ceilings.

CE8400 - Sloped Ceiling Support Bracket

CE8400-AN - Sloped Ceiling Support Bracket, Anodized

##### K. Post for Support Set: Provide 5/8" (15.86mm) clear anodized aluminum or white powder coat post for support set.

CE830008(-AN) - Post for Support Set

\*Add -AN to part number for clear anodized aluminum finish

##### L. Curtain Carriers: Provide carriers with non-binding nylon rollers to accurately fit track. Carriers to be fitted to curtain to prevent accidental curtain removal. 2.2 carriers per lineal foot of track length, plus one extra carrier.

CE9025 - Solid Hook Carrier

CE9038 - Ball and Chain Carrier

##### M. Ligature Resistant Curtain Carriers: Provide non-binding canted wheel carrier of self-lubricating Acetal, fitted to curtain with ligature resistant hook for safety. 2.2 carriers per lineal foot of track length.

CE9026-LR - Ligature Resistant\* Carrier.

\*While these products are designed for behavioral health applications, they do not guarantee patient safety.

##### N. Adjustable Drop Chain: Provide drop chain and adjust to accommodate curtain at desired height for air/steam circulation.

CE9039 - Adjustable Drop Chain

##### O. Tie Backs: Provide curtain tie back to hold

curtain back.

CE9251 - Curtain Tie Back - 48" (1.22m) long chain Fabric Tie Back - 3" x 18", 3/4" white velcro each end.

##### P. Wall Brackets: Provide Wall Brackets to install track on wall. Bracket dimensions: 4.25" (108mm) deep x 1.75 (44mm) high x 1.25 (32mm) wide. Space brackets a maximum of 24" (610mm) on center.

CE5082 Wall Bracket, white.

CE5082-AN Wall Bracket, zinc plated.

#### 2.04 I.V. BAG HOLDER SYSTEMS MATERIAL

##### 1. Ultra Cube I.V. Track: Heavy-duty extruded aluminum cubicle track with clear anodized aluminum or white baked acrylic enamel finish. Dimensions: height 1 1/8" (29mm), width 1 1/4" (32mm).

#### 2.05 I.V. BAG HOLDER COMPONENTS

##### 1. I.V. Support Carriage: Provide carriage with ball bearing wheels, twist lock device for 8' (2.45m), 8'6" (2.59m), 9' (2.74m), 9'6" (2.9m), or 10' (3.05m) ceilings.

CE950208 - I.V. Carriage, 8' (2.45m) height

CE950286 - I.V. Carriage, 8'6" (2.59m) height

CE950209 - I.V. Carriage, 9' (2.74m) height

CE950296 - I.V. Carriage, 9'6" (2.9m) height

CE950210 - I.V. Carriage, 10' (3.05m) height

##### 2. I.V. Bag Holder: Provide holder of stainless steel with foldable arms for storage. Units are to be fully telescoping to any position, with a spring load action from release/lock ring.

CE9505 - 5 Unit Bag Holder

CE9509 - 9 Unit Bag Holder

##### 3. Stationary I.V. Pendant: Provide I.V. Pendant that attaches directly to hard ceilings.

CE950408 - Stationary I.V. Pendant, 8' (2.45m) height

CE950486 - Stationary I.V. Pendant, 8'6" (2.59m) height

CE950409 - Stationary I.V. Pendant, 9' (2.74m) height

CE950496 - Stationary I.V. Pendant, 9'6" (2.9m) height

CE950410 - Stationary I.V. Pendant, 10' (3.05m) height

##### 4. Ultra Cube I.V. End Cap: Provide end caps that cushion impact of I.V. Carriage.

CE9501 - I.V. End Cap, white

CE9501-AN - I.V. End Cap, gray

### PART 3 - EXECUTION

#### 3.01 EXAMINATION

##### A. Examine areas and conditions in which the cubicle tracking systems will be installed.

##### 1. Complete all finishing operations, including painting, before beginning installation of cubicle tracking system materials.

##### 2. Verify that surfaces and above ceiling supports are ready to receive work.

#### 3.02 PREPARATION

##### A. General: Prior to installation, clean substrate to remove dust, debris and loose particles.

#### 3.03 INSTALLATION

##### A. General: Locate the cubicle track as indicated on the approved detail drawing for the appropriate substrate and in compliance with the Clickeze® installation instructions.

##### B. Installation of Cubicle Tracking Systems:

##### 1. Install cubicle track, secure, rigid, and true to ceiling line.

##### 2. Slide carriers onto the track.

##### 3. Install end cap or stop device.

##### 4. Secure or suspend track to ceiling system. Install with mechanical fasteners or gridclips.

##### 5. Install curtains on carriers ensuring smooth operation.

#### 3.04 CLEANING

##### A. At completion of the installation, remove any debris and clean surfaces in accordance with the Clickeze® clean-up and maintenance instructions.