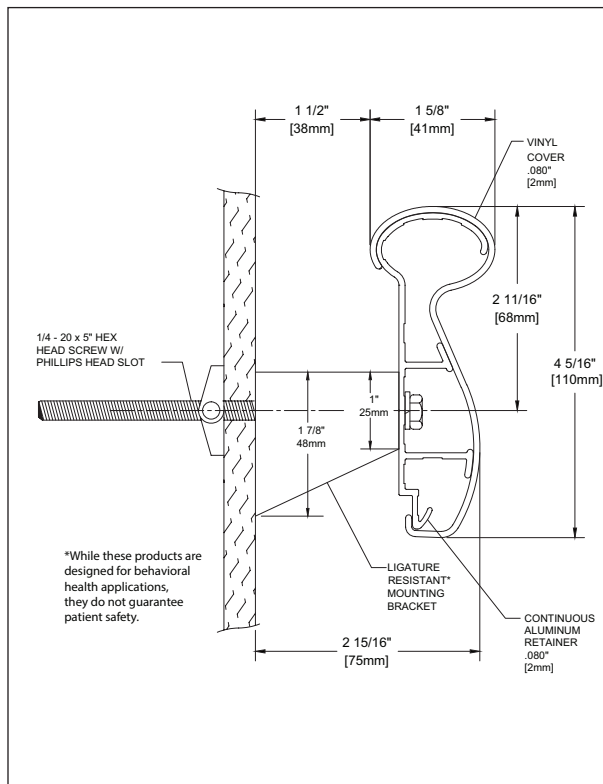
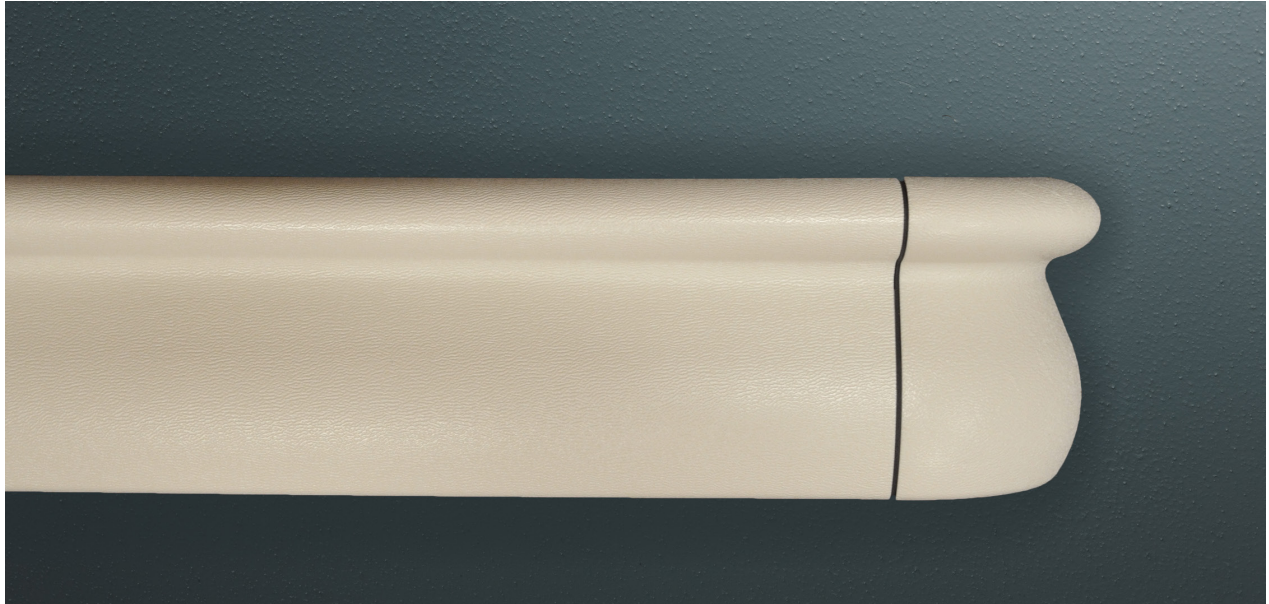


A1000

Handrail with SureContact® and Ligature Resistant* Bracket



- Mid-size Handrail
- Includes SureContact® anti-microbial properties as tested in accordance with JIS Z 2801:2010
- Oval Gripping surface, 4-5/16" (110mm) height x 1-5/8" (41mm)
- Solid wood ligature resistant* bracket.
- Mounted on a sturdy .080" (2mm) thick, continuous aluminum retainer
- .080" (2mm) thick, scratch and stain resistant rigid vinyl cover
- Includes black reveals for returns and corners
- Easy installation, clean-up and maintenance
- Meets ADA and ANSI criteria
- Manufactured in 12' (3.66m) standard lengths
- All mounting fasteners are included with each order
- 1000FV Model – Manufactured with Woodland pattern full wrap.
- Meets the most rigorous standards and criteria of chemical emissions as prescribed by the GREENGUARD Environmental Institute
- Has been tested and meets GREENGUARD Environmental Institute's and the state of California's requirements for low emitting products as tested by Air Quality Sciences
- Has been tested and meets the GREENGUARD Children & School chemical emissions levels

* While these products are designed for behavioral health applications, they do not guarantee patient safety.

IPC.1697/REV.3

A1000 Handrail with SureContact® and Ligature Resistant* Bracket

Suggested Specification

PART 1 - GENERAL

1.01 SUMMARY

- A. Handrail systems for pedestrian safety and wall protection

1.02 SECTION INCLUDES

- A. A1000 Handrail System with SureContact® anti-microbial properties and Ligature Resistant* Bracket

1.03 REFERENCES

- A. American National Standards Institute (ANSI)
B. American Society for Testing and Materials (ASTM)
C. Americans with Disabilities Act (ADA)
D. Japanese Industrial Standard (JIS)
E. National Building Code of Canada (NBC)
F. National Fire Protection Association (NFPA)
G. Society of Automotive Engineers (SAE)
H. Underwriters Laboratory (UL)
I. Underwriters Laboratory of Canada (ULC)
J. Uniform Building Code (UBC)

1.04 SYSTEM DESCRIPTION

- A. Performance Requirements: Provide Handrail Systems that conform to the following requirements of regulatory agencies and the quality control of IPC Door and Wall Protection Systems, InPro Corporation.
1. Fire Performance Characteristics: Provide UL Classified handrails conforming with NFPA Class A fire rating. Surface burning characteristics, as determined by UL-723 (ASTM E-84), shall be flame spread of 10 and smoke development of 350 - 450. Provide ULC (Canada) listed handrails conforming to the requirements of the National Building Code of Canada 2010, Subsection 3.1.13. Surface burning characteristics, as determined by CAN/ULC102.2, shall be flame spread of 15 and smoke developed of 35.
 2. Self Extinguishing: Provide handrails with a CC1 classification, as tested in accordance with the procedures specified in ASTM D-635-74, Standard Test Method for Rate of Burning and/or Extent and Time of Burning of Self-Supporting Plastics in a Horizontal Position, as referenced in UBC 52-4-1988.
 3. Impact Strength: Provide rigid vinyl profile materials that have an Impact Strength of 30.2 ft-lbs/inch of thickness as tested in accordance with the procedures specified in ASTM D-256-90b, Impact Resistance of Plastics.
 4. Chemical and Stain Resistance: Provide handrails that show resistance to stain when tested in accordance with applicable provisions of ASTM D-543.
 5. GREENGUARD Certified: Provide GREENGUARD Certified material. Profiles shall meet the requirements of GREENGUARD Certification Standards for Low-Emitting Products and GREENGUARD Product Emission Standard for Children & Schools.
 6. Fungal and Bacterial Resistance: Provide rigid vinyl that does not support fungal or bacterial growth as tested in accordance with ASTM G-21 and ASTM G-22.
 7. Color Consistency: Provide components matched in accordance with SAE J-1545 - (Delta E) with a color difference no greater than 1.0 units using CIE Lab, CIE CMC, CIE LCh, Hunter Lab or similar color space scale systems.
 8. Code Compliance: Provide handrails that comply with all current ANSI and ADA requirements.
 9. Anti Microbial: Provide handrail components with handrail gripping surfaces that have SureContact® anti-microbial properties as tested in accordance with JIS Z 2801:2010.
- 1.05 SUBMITTALS
- A. Product Data: Manufacturer's printed product data for each product indicated in this section.

- B. Detail Drawings: Mounting details with the appropriate fasteners for specific project substrates.
C. Samples: Verification samples of handrail, 8" (203mm) long, in full size profiles of each type and color indicated.
D. Manufacturer's Installation Instructions: Printed installation instructions for each handrail.

1.06 DELIVERY, STORAGE AND HANDLING

- A. Deliver materials in unopened factory packaging to the jobsite
B. Inspect materials at delivery to assure that specified products have been received.
C. Store in original packaging in a climate controlled location away from direct sunlight.

1.07 PROJECT CONDITIONS

- A. Environmental Requirements: Install products in an interior climate controlled environment.

1.08 WARRANTY

- A. Standard IPC Limited Lifetime Warranty against material and manufacturing defects.

PART 2 - PRODUCTS

2.01 MANUFACTURER

- A. Acceptable Manufacturer: IPC Door and Wall Protection Systems, InPro Corporation, PO Box 406, Muskego, WI 53150, USA;
Telephone: 800-222-5556, Fax: 888-715-8407, Internet address: <http://www.inprocorp.com>
B. Substitutions: Not permitted
C. Provide all handrails and wall protection from a single manufacturer.

2.02 MANUFACTURED UNITS

- A. Handrail Profile
1. A1000 Handrail, 4-5/16" (110mm) height x 1-5/8" (41mm) gripping diameter, extends 3-1/8" (79mm) from wall. Returns and corners include reveals.
- B. Ligature Resistant* Handrail Bracket: Ligature resistant* bracket shall be solid wood and continuous behind handrail.

2.03 MATERIALS

- A. Vinyl: Snap-on covers of .080" (2mm) thickness shall be extruded from chemical and stain resistant unplasticized polyvinyl chloride (uPVC) with the addition of impact modifiers. No plasticizers shall be added (plasticizers may aid in bacterial growth). Accent strips when used shall be of polyvinyl chloride.
B. Aluminum: Continuous aluminum retainer of .080" (2mm) thickness shall be fabricated from 6063-T5 aluminum with a mill finish.
C. Ligature Resistant* Handrail Bracket: Ligature Resistant* bracket shall be milled from kiln dried poplar wood.

2.04 COMPONENTS

- A. Returns, inside corners, outside corners and brackets shall be made of injection molded thermoplastics.
B. Molded reveals shall have a smooth finish and shall be black.
C. Fasteners: All mounting system accessories appropriate for substrates indicated on the drawing shall be provided.

2.05 FINISHES

- A. Vinyl Covers: Handrail colors to be selected by the architect from the IPC finish selection.
B. Molded components: Inside corners, outside corners and brackets shall be of a color matching the handrails. Surface shall have a pebblette texture.
C. Ligature Resistant* Handrail Bracket: Ligature resistant* handrail bracket shall be painted black and have a smooth finish.

PART 3 - EXECUTION

3.01 EXAMINATION

- A. Examine areas and conditions in which the handrail system will be installed.
1. Complete all finishing operations, including painting, before beginning installation of handrail system materials.
 2. Wall surface shall be dry and free from dirt, grease and loose paint.

3.02 PREPARATION

- A. General: Locate handrail as indicated on approved detail drawings for the appropriate substrate and in compliance with the IPC installation instructions. Install handrail level and plumb at the height indicated on the drawings. Fill any voids and spaces on anti-ligature bracket with color matched caulk.

3.04 CLEANING

- A. At completion of the installation, clean surfaces in accordance with the IPC clean-up and maintenance instructions.

* While these products are designed for behavioral health applications, they do not guarantee patient safety.