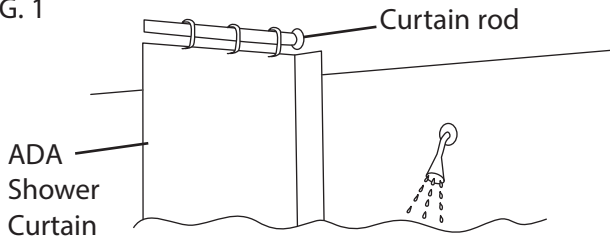


# ADA Shower Curtain

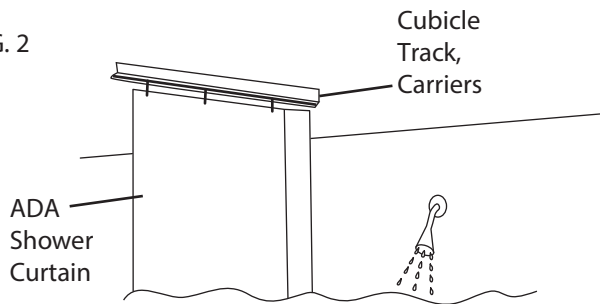
## Installation Instructions

FIG. 1



**Please read all instructions before installing the ADA Shower Curtain.**

FIG. 2



1. Install curtain using an existing curtain rod (see figure 1), or install using cubicle track – secure, rigid, and true to ceiling line (see figure 2). Use existing curtain hooks on the rod, or slide carriers onto the cubicle track. If installing curtain on carriers, ensure smooth operation. Install end cap or stop device as required.
2. If installing using cubicle track, secure or suspend track to ceiling system. Install with mechanical fasteners. When installing the ADA Shower Curtain, the surface that the Velcro will be adhered must be clean, dry and free of soap scum, grease and oil.
3. Position each edge of the curtain against the wall keeping it plumb and in line with the track. Mark the location of each Velcro pad. Within the marked area, apply a continuous 1/8" x 3/16" (approx.) bead of Dow-Corning 732 Clear Sealant in the shape of a rectangle. (See figure 3)
4. Remove the release liner from the Velcro. Press the Velcro to the wall. (See figure 4) Smooth out the Velcro by hand. Allow sealant to cure for 24 hours prior to any contact with water or engagement with mating Velcro.
5. To access the shower compartment disengage the Velcro by sliding fingers into the Velcro pocket on the curtain. (See figure 5)

FIG. 3

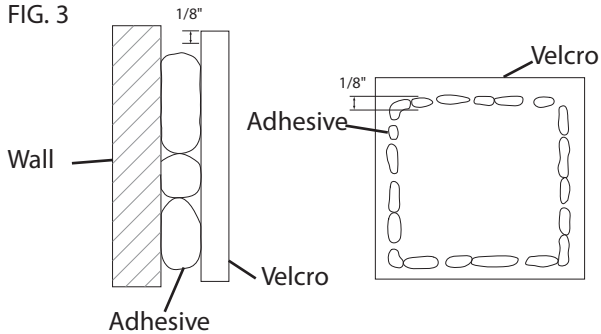


FIG. 4

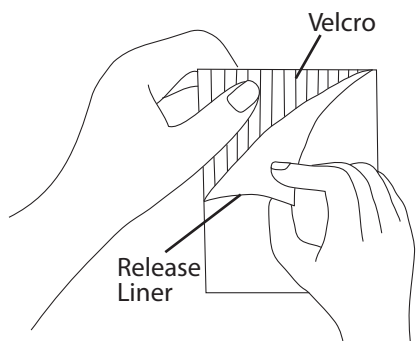
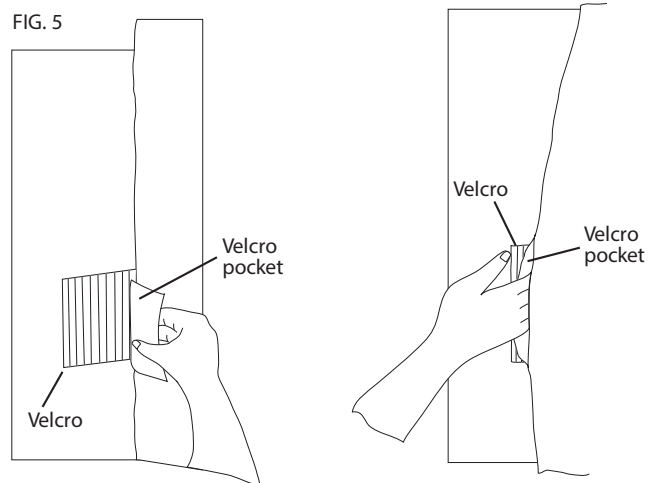


FIG. 5



IPC.535/Rev.2

CLICKEZE® Privacy Systems

inpro.com • 800.222.5556 • 262.679.9010

World Headquarters S80 W18766 Apollo Drive, Muskego, WI 53150 USA

Installation Hotline: 866.394.6776

**inpro**®