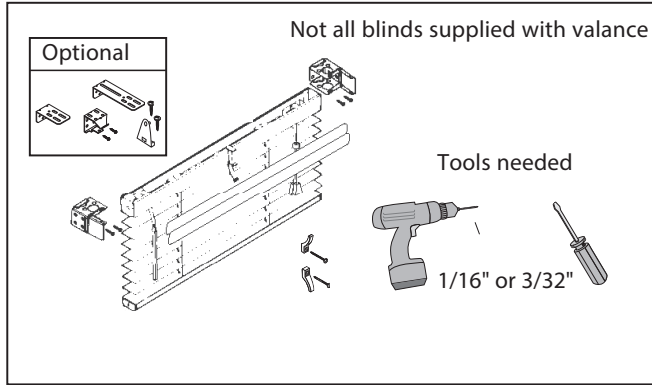


Bali® Aluminum Blind

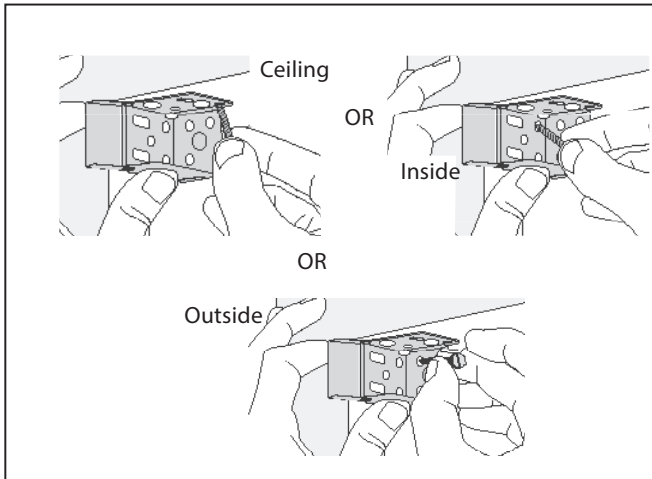
Installation Instructions

HOW TO INSTALL Inside, Outside, Ceiling-mount or Special Shape Aluminum Blinds with Box Brackets

1. Tools and components needed to install blinds.

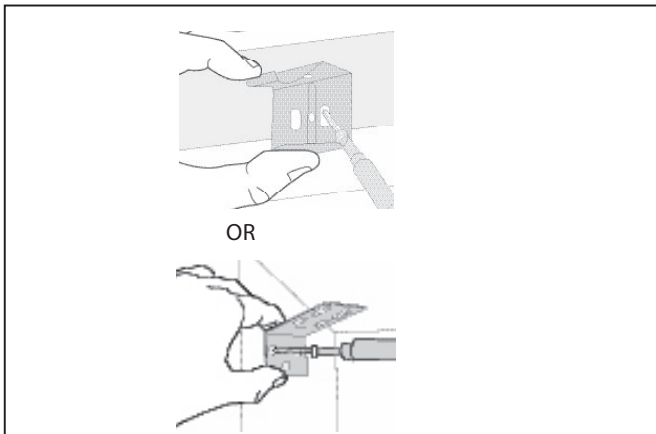


2. Mark bracket locations. Ceiling, inside or outside



3. Optional CenterSupport(s)/Projection Bracket.

Position the center support(s) in line with the mounting brackets so they will not interfere with the ladder tapes. Space evenly and keep out of the way of other working parts.



IPC.1991/REV1

JUNIPER™ Commercial Window Treatments

inpro.com • 800.222.5556 • 262.679.9010

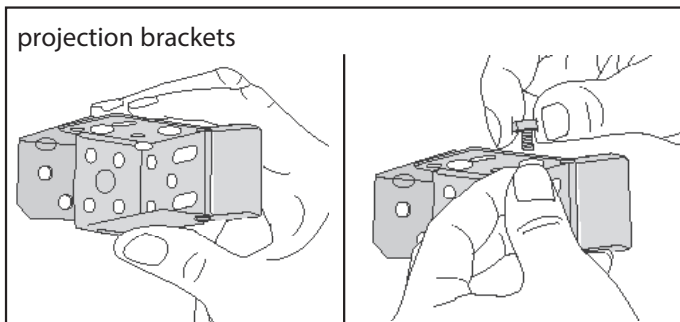
World Headquarters S80 W18766 Apollo Drive, Muskego, WI 53150 USA

Installation Hotline: 866.394.6776

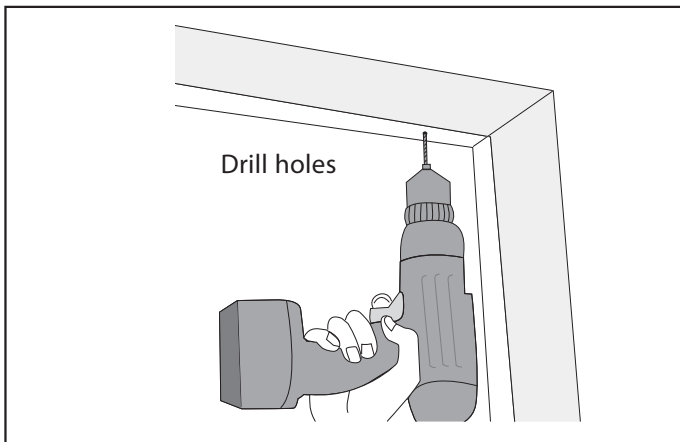
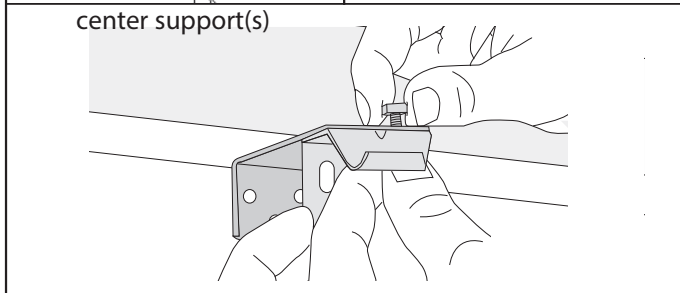
inpro®

Bali® Aluminum Blind

Installation Instructions



4. Optional Center Support(s)/Projection Brackets



5. Drill Holes

JUNIPER™ Commercial Window Treatments

inpro.com • 800.222.5556 • 262.679.9010

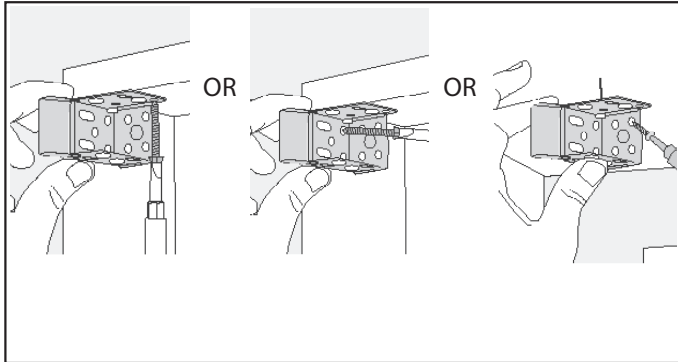
World Headquarters S80 W18766 Apollo Drive, Muskego, WI 53150 USA

Installation Hotline: 866.394.6776

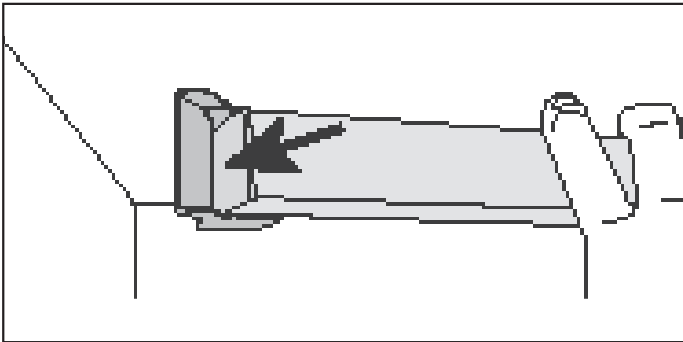
inpro®

Bali® Aluminum Blind

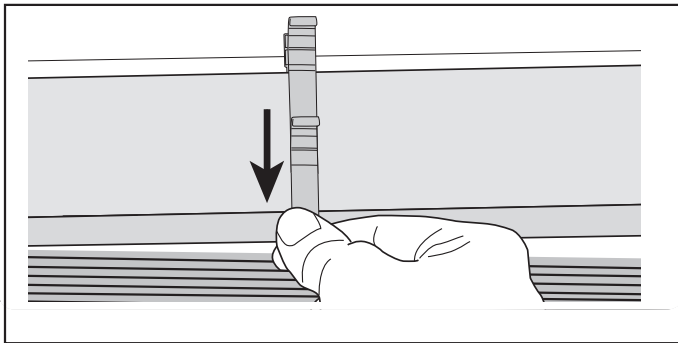
Installation Instructions



6. Screw in Brackets.



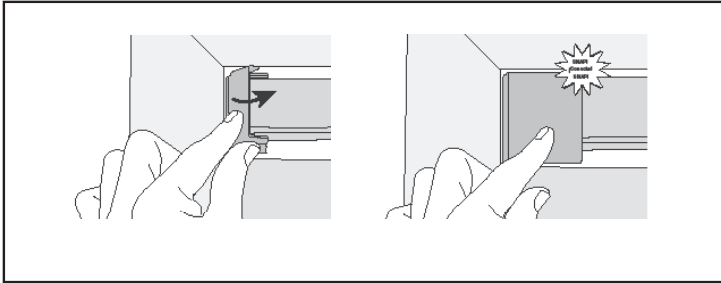
7. Mount Blind in Brackets



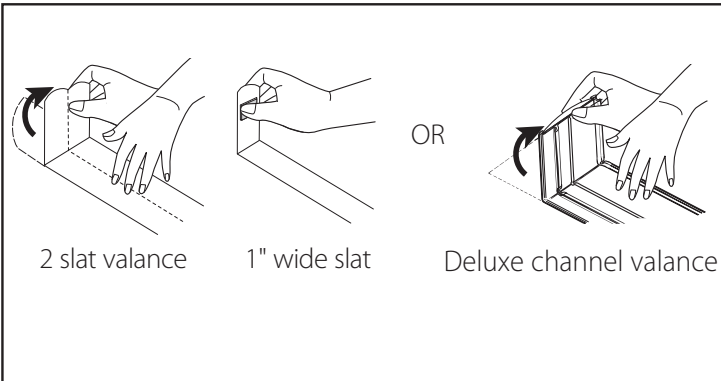
8. Attach Valance Clip.

Bali® Aluminum Blind

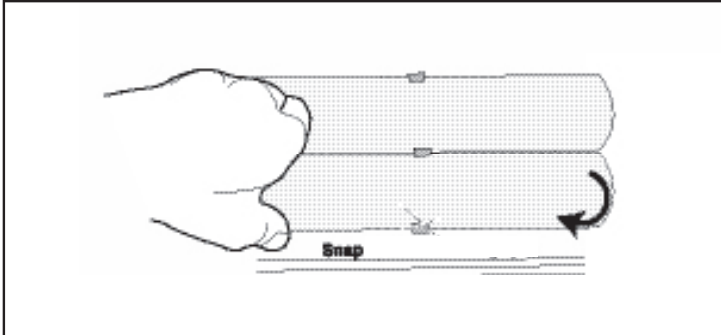
Installation Instructions



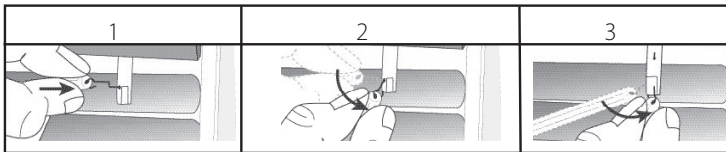
9. Close Door on Bracket



10. Optional Valance with Returns



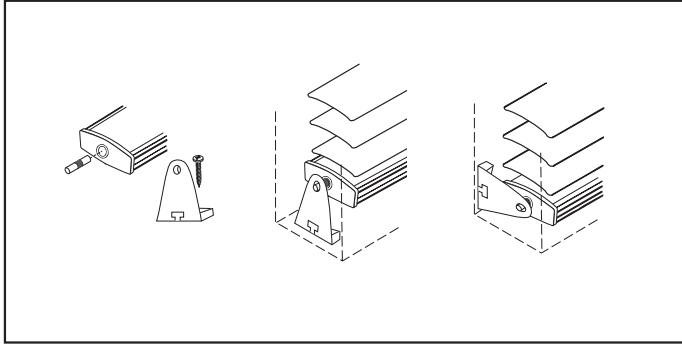
11. Attach Valance.



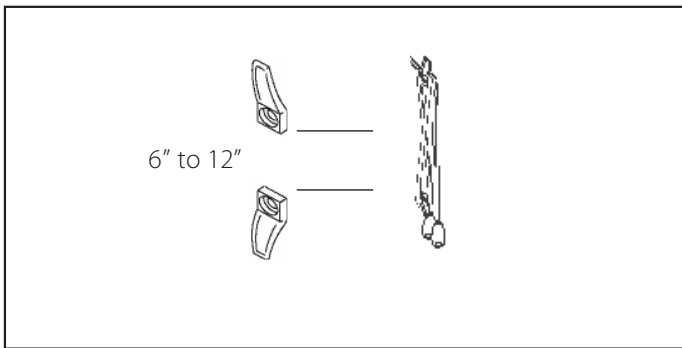
12. Attach Tilt Wand.

Bali® Aluminum Blind

Installation Instructions

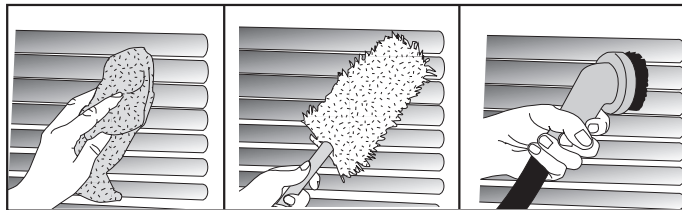


13. Optional Hold-Down Bracket.



14. Install Cord Cleat.

Install cord cleats 6" to 12" apart at a height out of reach of children. Wrap cords around cleats when not in use.



15. Use warm water and mild non-abrasive liquid soap