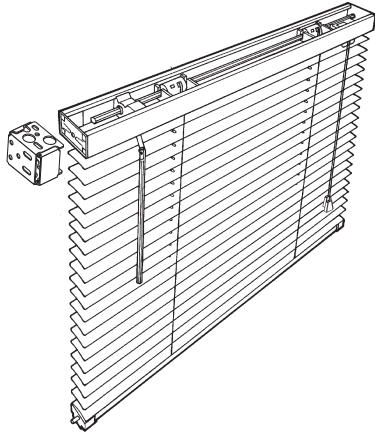


# Bali Classics Aluminum Blinds

## Data Sheet

### Product Features



- 1" x 1½" steel headrail
- Anti-static performance to repel dust
- Low HAP, low VOC paint process
- Disengaging clutch
- Crash-proof cord lock
- Enclosed bottomrail
- .006" or .008" slat option
- Perforated slat option
- Specialty shapes option
- GREENGUARD Gold Certified
- Limited Lifetime Warranty



### Product Specifications

**Headrail** shall be 1" high x 1½" wide x .025" thick U-shaped steel. The steel finishing process includes phosphate treatment for corrosion resistance, a chrome-free sealer, a low HAP urethane primer, and a topcoat of low HAP polyester-baked enamel.

**Tilter** shall be made of injection-molded thermoplastics for smooth, low-friction operation and will incorporate a clutch mechanism to prevent damage due to over-tilting.

**Tilt rod** shall be electro-zinc coated solid steel measuring ¼" square.

**Tilt wand** shall be clear polycarbonate with a hexagonal cross section measuring approximately ¼" diameter, attached to the tilter shaft with a spring clip for easy removal.

**Cord lock** is a snap-in design made of durable, high impact nylon with a stainless steel wear guard incorporating a floating, shaft-type locking pin. The design provides a crash-proof safety feature that will lock the blinds automatically upon release of the lift cord.

**Drum and cradles** shall be low-friction thermoplastic and provided for each ladder.

**Installation brackets** shall be made of phosphate-treated steel with a urethane primer and polyester-baked enamel finish to match headrail. The design shall incorporate a hinged front cover.

**Braided ladder** shall be made of 100% polyester yarn, incorporating two extra strength rungs per ladder for slat support. Standard ladder spacing shall be 21.5mm.

**Slats** shall be 5000 Series cold-rolled aluminum containing the maximum allowable recycled content to produce a high strength and corrosion-resistant, flexible product. Slats shall be nominally 1" wide x .006" thick and processed to provide a smooth, hard, less porous surface with anti-static performance to repel dust. Slats shall be treated with a topcoat of polyester-baked enamel.

**Bottomrail** shall be completely enclosed tubular shape made of phosphate-treated steel for corrosion resistance and finished with a chrome-free sealer, low HAP urethane primer, and a topcoat of low HAP, polyester-baked enamel and shall measure .025" thick.

#### Options:

- .008" thick slat
- 20mm ladder spacing
- 22.5mm ladder spacing
- Perforated slat
- Tilt limiter
- Cord tilt
- Ring tilt
- Top-lock cord lock
- Ring pull
- 2-piece pocket bracket
- Turn clips for extruded pocket
- Extension brackets
- Hold-down brackets
- Cut-outs
- 2-slat valance
- Deluxe 2-slat valance
- Specialty shapes (arches, circles, and angles)

IPC.1985/Rev.1

# Bali Classics Aluminum Blinds

## Suggested Specifications

### PART 1 – GENERAL

#### 1.01 DESCRIPTION

A. Furnish and install Bali® Horizontal Blinds, in accordance with specifications, drawings and contract documents.

#### 1.02 SUBMITTALS

A. Manufacturer's complete CSI 3-part specification sheet.  
B. Product Sample: Submit working hand sample or mock up blind as required.  
C. Color Sample: Submit two 6" samples of slat material indicating color and dimensions.

#### 1.03 DELIVERY, STORAGE AND HANDLING

A. Product to be delivered to jobsite in manufacturer's original packaging.  
B. Products to be handled and stored to prevent damage to materials, finishes and operating mechanisms. Store in a clean, dry area, laid flat to prevent sagging and twisting of packaging.

#### 1.04 PROJECT / SITE CONDITIONS

A. Building shall be enclosed; and windows, frames and sills shall be installed and glazed.  
B. Wet work shall be complete and dry.  
C. Ceilings, window pockets, electrical and mechanical work above window covering shall be complete.  
D. Electrical power (110 volt AC) shall be available for installer's tools within 500 feet of product installation areas.

#### 1.05 QUALITY ASSURANCE

A. Manufacturer, subsidiary or licensed agent shall be approved to supply the products specified, and to honor any claims against product presented in accordance with warranty.  
B. Installer or agent shall be qualified to install specified products by prior experience, demonstrated performance and acceptance of requirements of manufacturer, subsidiary, or licensed agent. Installer shall be responsible for an acceptable installation.

#### 1.06 LIMITED LIFETIME WARRANTY

A. Inpro Corporation warrants the product against original defects in materials or workmanship for the life of the blind. Inpro does not warrant damage due to accidents, misuse, abuse, improper installation, alterations or improper cleaning.

### PART 2 – PRODUCTS

#### 2.01 ACCEPTABLE MANUFACTURERS/ DISTRIBUTOR

A. Clickeze, Inpro Corporation,  
PO Box 406 Muskego, WI 53150 USA;  
Telephone: 800-222-5556, Fax: 888-715-8407,  
Internet address: <http://www.inprocorp.com>  
B. Substitutions: Not permitted  
C. Provide all window treatments from a single source.

#### 2.02 HORIZONTAL BLINDS

A. Product: Bali® Classics™ Aluminum Blinds  
a. Headrail shall be 1" high x 1-1/2" wide x .025" thick U-shaped steel. The steel finishing process includes phosphate treatment for corrosion resistance, a chrome-free sealer, a low HAP urethane primer and a topcoat of low HAP polyester baked enamel.  
b. Tilter shall be made of injection-molded thermoplastics for smooth low-friction operation and will incorporate a clutch mechanism to prevent damage due to over tilting.  
c. Tilt rod shall be electro-zinc coated solid steel measuring 1/4" square.  
d. Tilt wand shall be clear polycarbonate with a hexagonal cross section measuring approximately 1/4" diameter and attached to the tilter shaft by means of a spring clip for easy removal.  
e. Cord lock shall be a snap in design made of durable high impact nylon with a stainless steel wear guard incorporating a floating shaft locking pin. The design provides a crash-proof safety feature that will lock blinds automatically upon release of cord.  
f. Drum and cradles shall be low-friction thermoplastic and provided for each ladder.  
g. Installation brackets shall be a rivet-hinged front cover phosphate-treated steel with urethane primer and polyester baked enamel finish to match headrail.  
h. Braided ladder shall be made of 100% polyester yarn incorporating two extra strength rungs per ladder for slat support. Standard ladder spacing shall be 21.5mm.  
i. Slats shall be 5000 series cold-rolled aluminum containing the maximum allowable recycled content to produce a high strength and corrosion resistant flexible product. Slats shall be nominally 1" wide x .006" thick and processed to provide a smooth, hard, less porous surface with anti-static performance to repel dust. Slats shall be treated with a topcoat of low HAP polyester baked enamel.  
j. Bottomrail shall be completely enclosed tubular shape made of phosphate-treated steel for corrosion resistance and finished with a chrome-free sealer, low HAP urethane primer and a topcoat of low HAP polyester baked

enamel and shall measure .025" thick.  
k. Options shall include:

- i. .008 thick slat
- ii. Tilt limiter
- iii. Cord tilt
- iv. Ring tilter
- v. Top lock cord lock
- vi. Ring pull
- vii. 2 piece pocket bracket
- viii. Turn clips for extruded pocket
- ix. Extension brackets
- x. Hold down brackets
- xi. Cut outs
- xii. 2 slat valance
- xiii. Deluxe 2 slat valance
- xiv. 20mm ladder spacing
- xv. 22.5mm ladder spacing
- xvi. Perforated slat

#### 2.03 Fabrication

A. Blinds shall be fabricated according to specifications and accurate to tolerance established by SWF engineering standards.

### PART 3 – EXECUTION

#### 3.01 INSPECTION

A. Installer shall be responsible for inspection of jobsite, approval of mounting surfaces, verification of field measurements and installation conditions. Installation shall commence when satisfactory conditions are met.

#### 3.02 INSTALLATION

A. Install blinds in accordance with manufacturer's instructions including recommended support brackets and fasteners.  
B. Install blinds with adequate clearance to permit smooth operation of the blinds. Demonstrate blinds to be in smooth, uniform working order

#### 3.03 Maintenance and Cleaning

A. Clean blinds with mild soap and water only. Do not use cleaning methods involving heat, bleach, abrasives, or solvents. Do not use window cloths with paper content. Use of these methods will void the warranty.