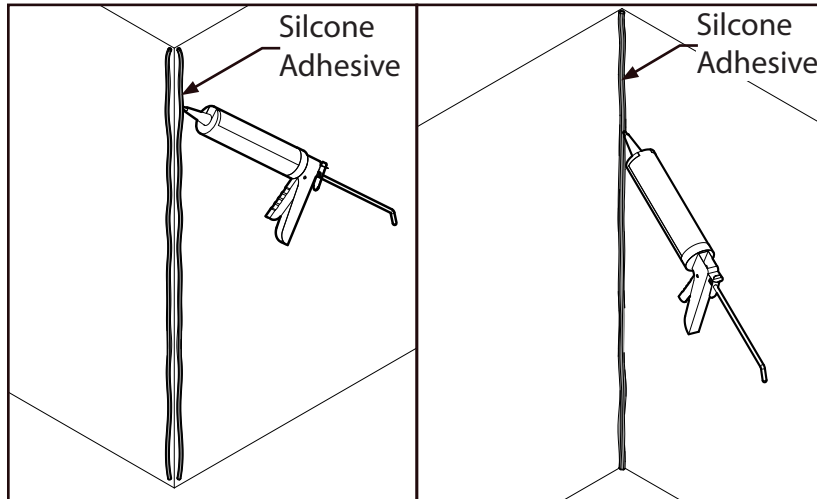


BioPrism[®] Solid Surface Installation Instructions Trim

Please read all instructions before installing products.

FIG. 1



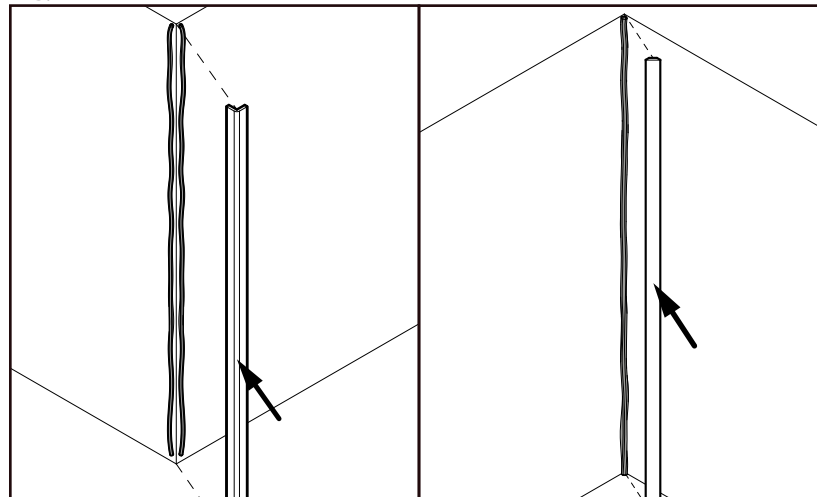
Make sure all surfaces are clean and free of dust, dirt, grease, and soap scum. If necessary, clean with denatured alcohol.

1. Cut the trim to the required length.
2. Apply silicone adhesive to the wall where the trim will be installed. *See Figure 1.*
3. Firmly press the trim into place. *See Figure 2.*

Note:

- Small drops of hot melt glue may be applied to the back of the trim piece to secure the trim while the silicone cures.

FIG. 2



4. If needed/desired, apply a bead of silicone around the perimeter of where the trim meets the wall. *See Figure 3.*

Note:

If you are using pick resistant color coordinated caulk (FastFill) please refer to the FastFill Installation Addendum.

5. Remove any excess silicone adhesive with denatured alcohol.
6. Use masking tape to hold the trim in place until the silicone cures. *See Figure 4.*
7. Allow the silicone to completely cure before use.

FIG. 3

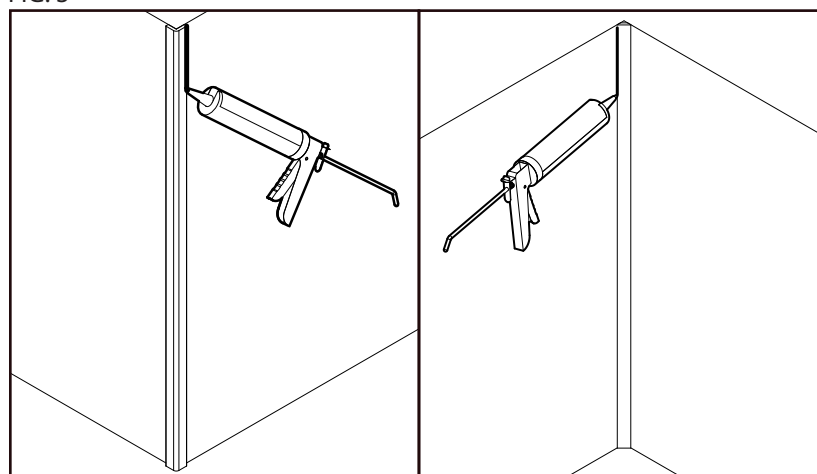
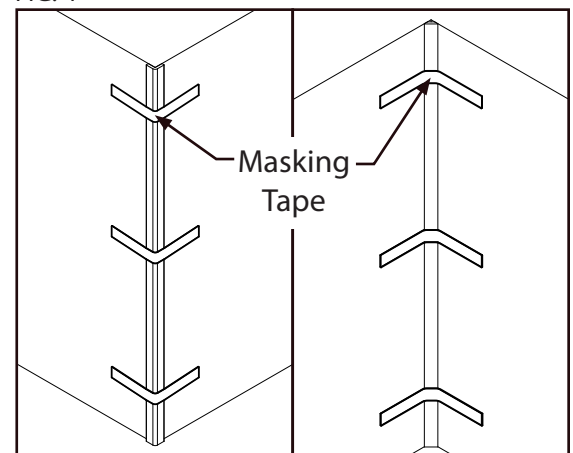


FIG. 4



IPC.3085/REV.2

ENDURANT[®] Washroom Systems

inpro.com • 800.222.5556 • 262.679.9010

World Headquarters S80 W18766 Apollo Drive, Muskego, WI 53150 USA

Installation Hotline: 866.394.6776

inpro[®]