

Continuous Strike Toilet Partition Installation Addendum

INSTALL ADDENDUM TO BE USED FOR CONTINUOUS STRIKE ONLY

Local codes vary from state to state. Check your local and state codes before installing the Latches and Keepers. Consult the ADA Standards for any ADA Compliant installs.

FIG. 1A

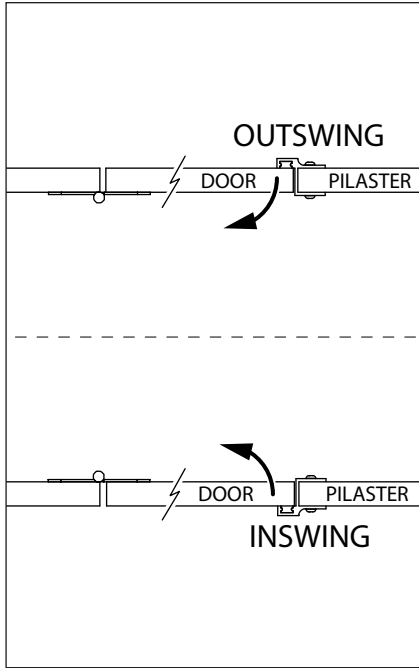
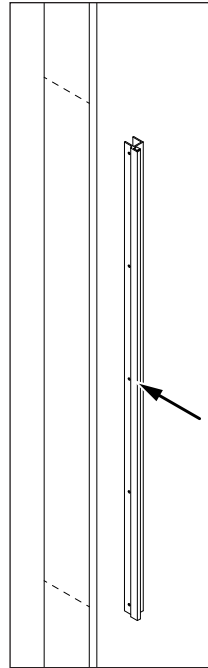


FIG. 1B



Step 1 - Installing The Continuous Strike

1. Determine the orientation of the continuous strike. *See Figure 1A.*
2. Position the continuous strike on the pilaster as shown in *Figure 1B*, centering it vertically on the height of the door.
3. Using the continuous strike as a template transfer the screw hole locations to the pilaster. *See Figure 2.*
4. Drill a 1/4" (6.4mm) hole through the pilaster at each hole location. *See Figure 3.*
5. Secure the continuous strike to the pilaster with the provided barrel nuts and shoulder bolts. *See Figure 4.*

For Inswing doors go to Steps 2 & 3, for Outswing doors go to Step 4.

FIG. 2

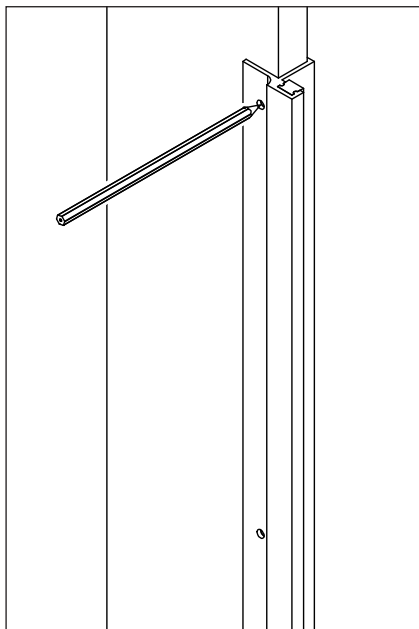


FIG. 3

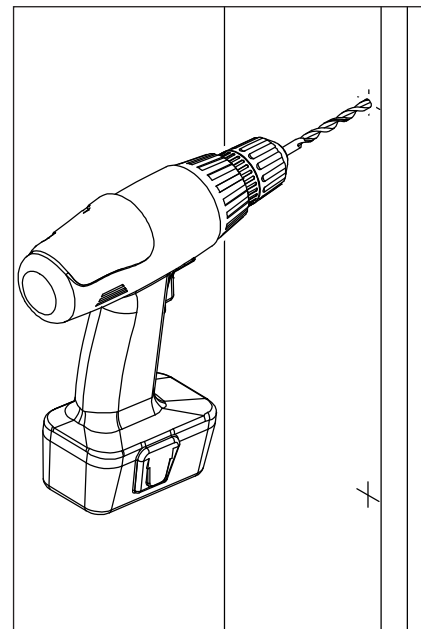
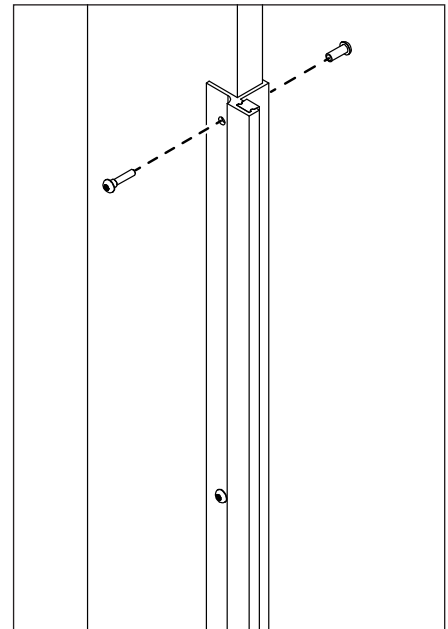


FIG. 4



IPC.3118/REV.1

ENDURANT® Washroom Systems

inpro.com • 800.222.5556 • 262.679.9010

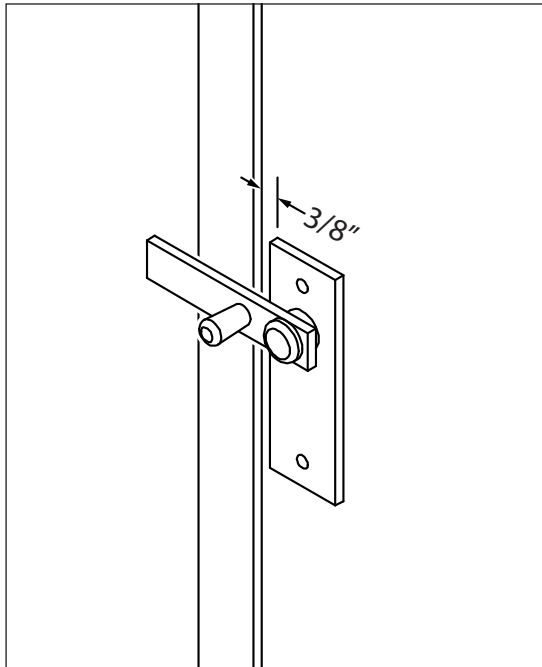
World Headquarters S80 W18766 Apollo Drive, Muskego, WI 53150 USA

Installation Hotline: 866.394.6776

inpro®

Continuous Strike Toilet Partition Installation Addendum

FIG. 5



Step 2 - Installing The Latch (Inswing)

6. Position the latch on the door, approximately 3/8" (9.5mm) from the edge, and at the desired height. *See Figure 5.*

Note: Check local, state, and ADA codes for compliance before installing the latches.

7. Using the latch as a template transfer the screw hole locations to the door. *See Figure 6.*
8. Drill a 15/64" (6.0mm) hole approximately 1/4" (6.4mm) deep at each location. *See Figure 7.*
9. Secure the latch to the door with the provided #14 pin-in torx screws. *See Figure 8.*

FIG. 6

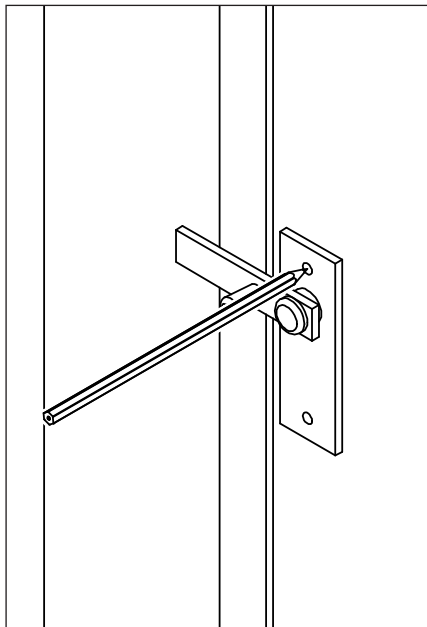


FIG. 7

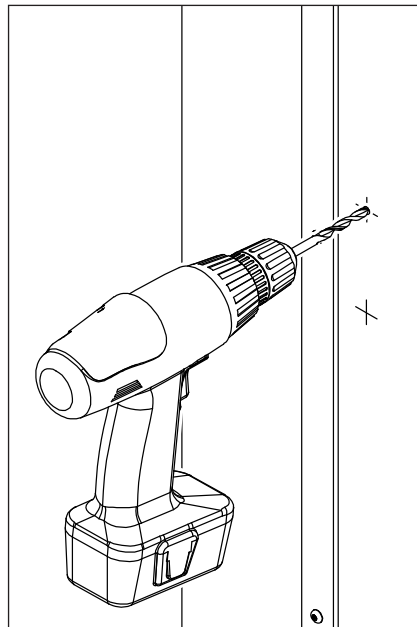
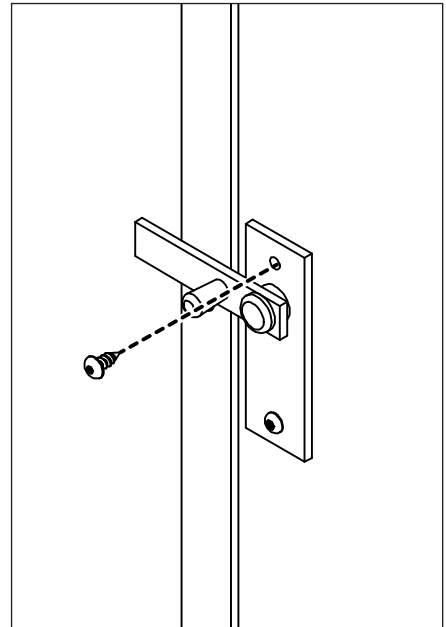
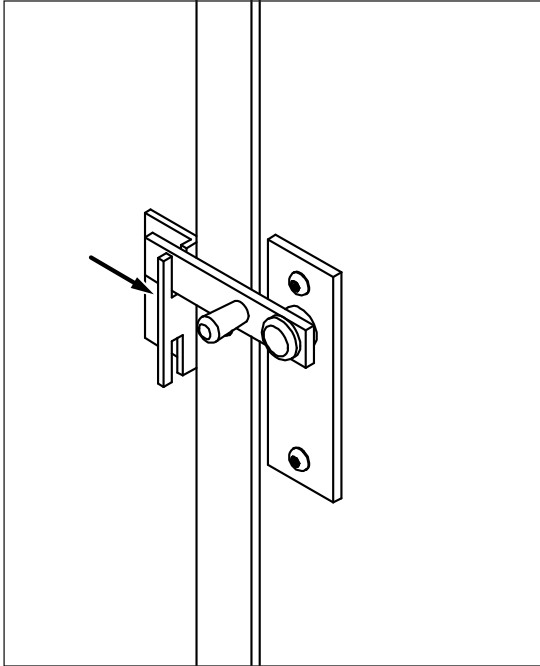


FIG. 8



Continuous Strike Toilet Partition Installation Addendum

FIG. 9



Step 3 - Installing The Keeper (Inswing)

10. Position the keeper on the pilaster, next to the continuous strike, lined up with the latch bar. *See Figure 9.*
11. Using the keeper as a template transfer the screw hole locations to the pilaster. *See Figure 10.*
12. Drill a 15/64" (6.0mm) hole approximately 1/4" (6.4mm) deep at each location. *See Figure 11.*
13. Secure the keeper to the pilaster with the provided #14 pin-in torx screws. *See Figure 12.*

FIG. 10

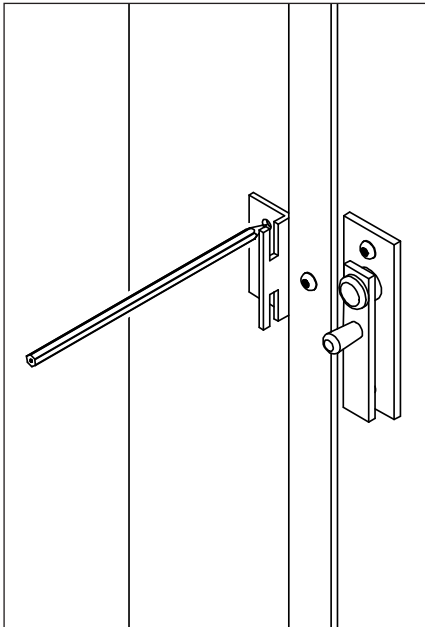


FIG. 11

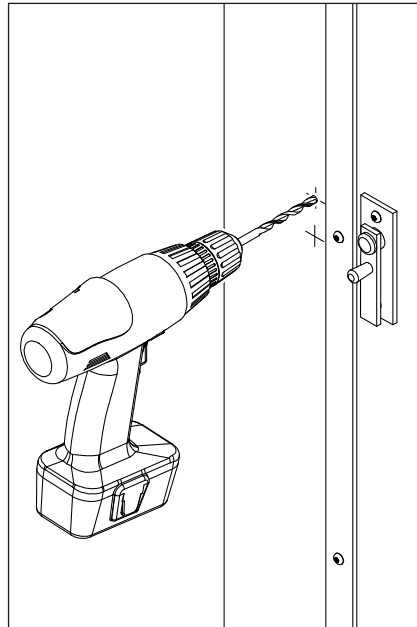
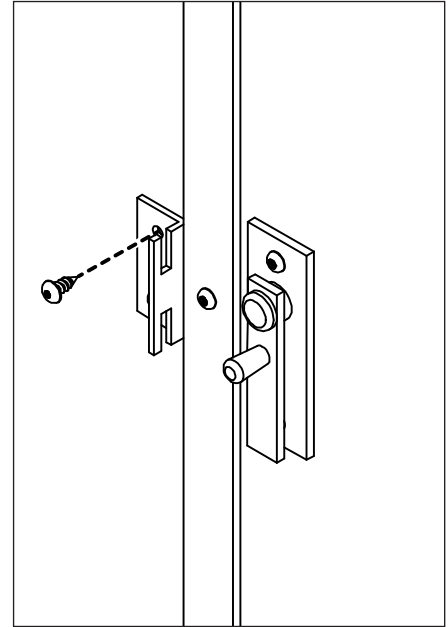
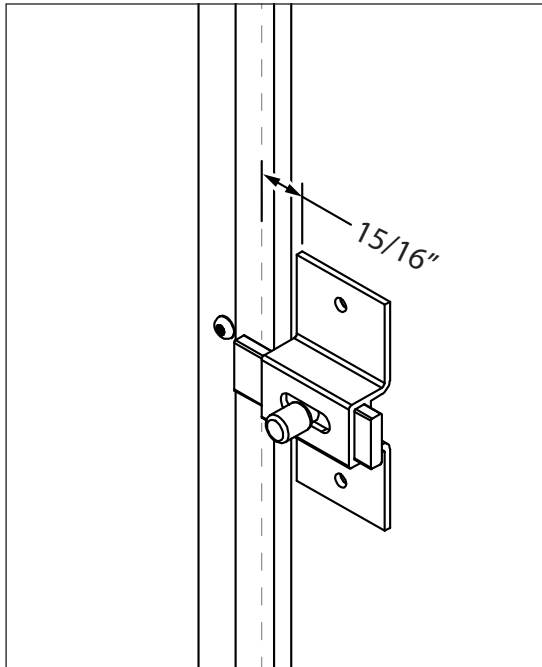


FIG. 12



Continuous Strike Toilet Partition Installation Addendum

FIG. 13



Step 4 - Installing The Latch (Outswing)

14. Position the latch on the door, approximately 15/16" (23.8mm) from the edge, and at the desired height. *See Figure 13.*

Note: Check local, state, and ADA codes for compliance before installing the latches.

15. Using the latch as a template transfer the screw hole locations to the door. *See Figure 14.*

16. Drill a 15/64" (6.0mm) hole approximately 1/4" (6.4mm) deep at each location. *See Figure 15.*

17. Secure the latch to the door with the provided #14 pin-in torx screws. *See Figure 16.*

FIG. 14

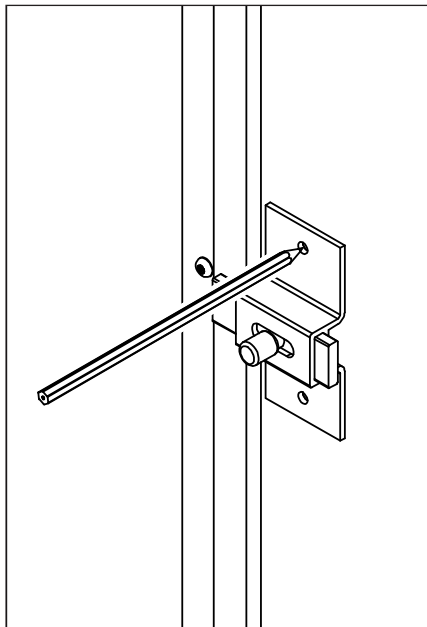


FIG. 15

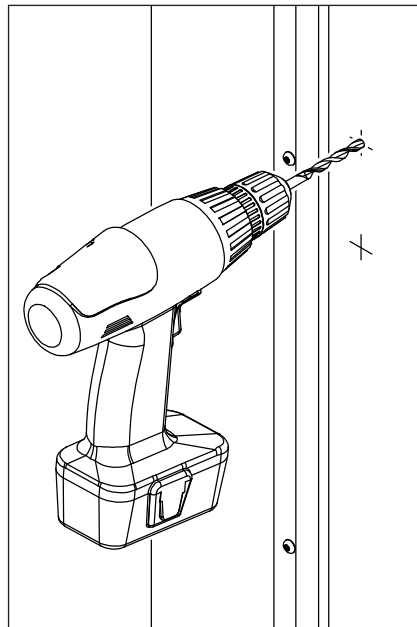
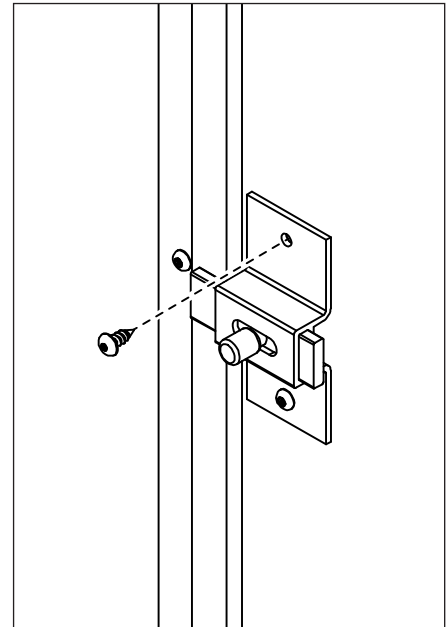


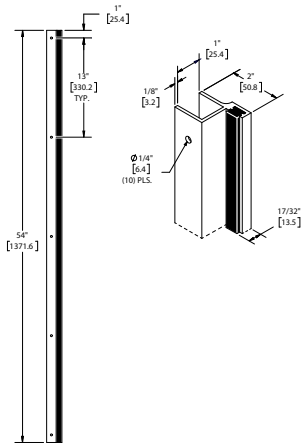
FIG. 16



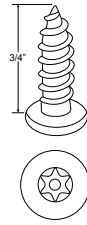
Continuous Strike

Toilet Partition Installation Addendum

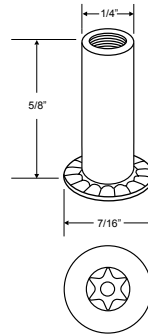
Continuous Strike Hardware Kit Components:



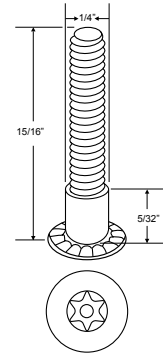
Continuous Strike



#14 x 3/4"
PIN-IN TORX SCREWS

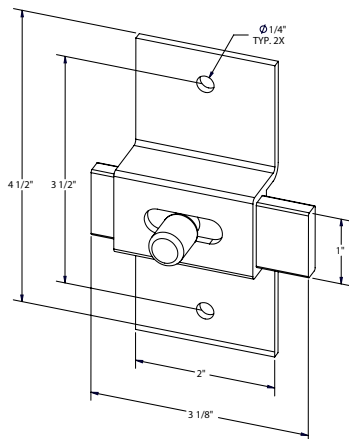


10-24 x 5/8"
BARREL NUT

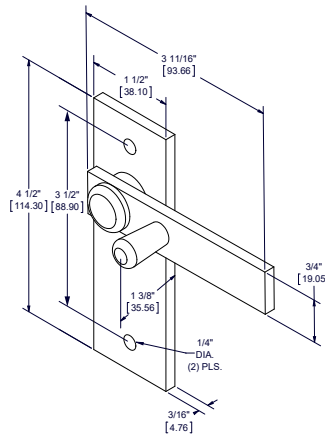


10-24 x 15/16"
SHOULDER BOLT

Fasteners (T-27 Pin-in Torx Typical)



Latch (Outswing)



Latch & Keeper (Inswing)

