

Installation Instructions

Window Top Treatments

FIG. 1

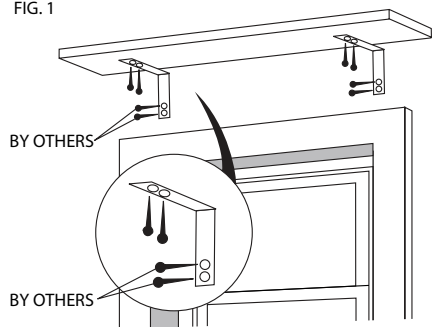
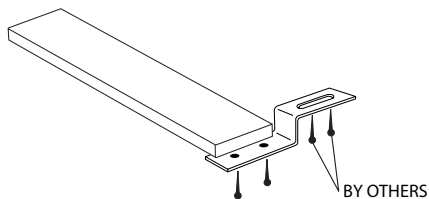


FIG. 2



1. Assemble wood mounting board placing connecting pins into holes on mating board. Push firmly to join boards.

Measure and mark the wood mounting board 4 1/2" [115mm] in from the outside edges to determine where the outer most brackets will be placed. Divide the remaining distance between your end markings by the number of brackets in your kit to determine where to place the brackets. If a bracket is centered over any of the board joints, move it 1 1/2" [39mm] to the right.

Determine how far above the window casing the board will be placed. Mark the wall for bracket locations. Use spacing between brackets as determined in the last step.

Install brackets to wall using screws and anchors (by others); ensure all brackets are level. (See figure 1)

2. Place mounting board on top of brackets with the Velcro® edge closest to the window. Using screws provided, attach mounting board to brackets. You may wish to mark the bracket placement and pre-drill holes before attaching the mounting board to the bracket.

Make sure all brackets are securely screwed into wall and mounting board is tight and secure.

To hang the window treatment: Attach the window treatment to the wood mounting board using the pre-attached Velcro.

NOTE: The treatment will hang better if the seam is placed along the front edge of the mounting board as opposed to the top edge of the mounting board. Steam out any wrinkles that occur during shipping.

For ceiling mount, measure bracket placement as described above and mark ceiling according the measurements. Install brackets to ceiling using screws and anchors (by others).

Place mounting board on lip of brackets with the Velcro edge closest to the window. Using screws provided, attach mounting board to brackets. You may wish to mark the bracket placement and pre-drill holes before attaching the mounting board to the bracket. (See figure 2). Follow instructions above to hang window treatment.

IPC.604/REV.2