

Installation Instructions

Please read all instructions before installing door protector.

Custom Formed Vinyl, G Series Door Frame Guard or G2 BioBlend® Series Door Frame Guard

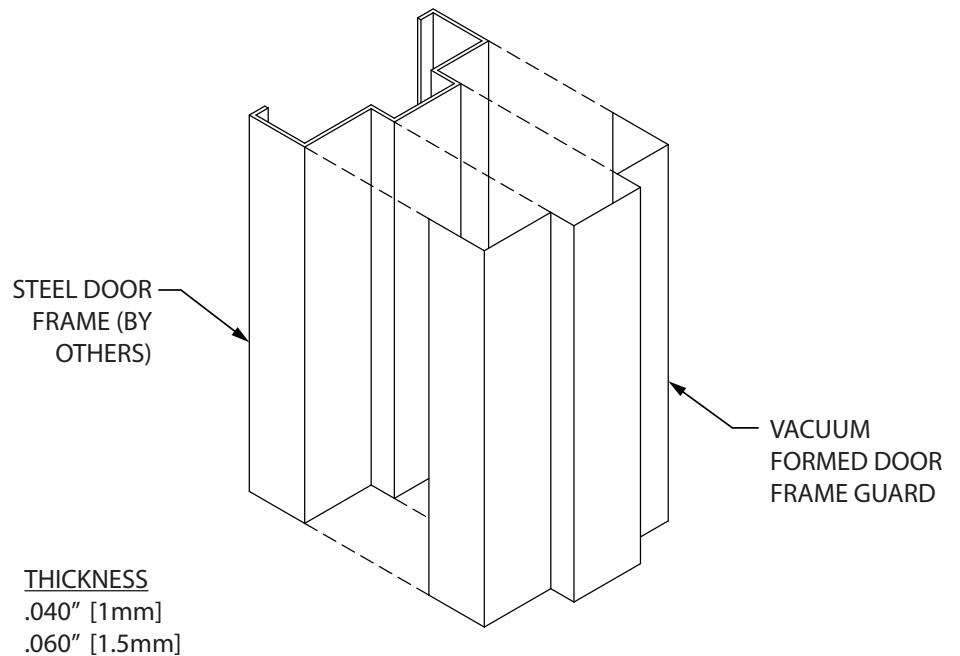
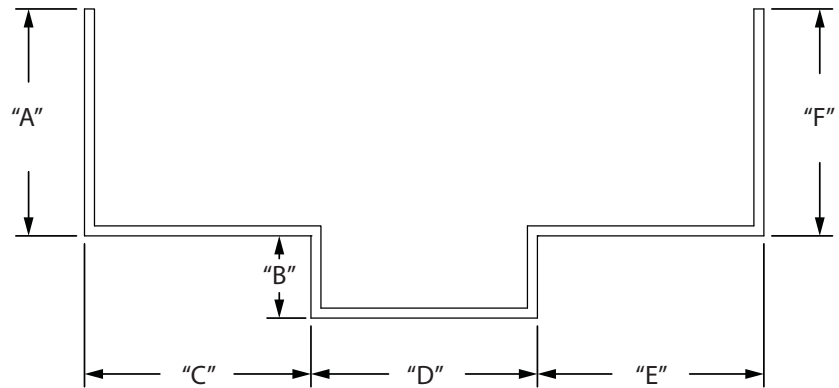
Important

1. Acclimate materials 24 hrs before installation. Maintain temperature controlled environment after installation.
2. Install in accordance with manufacturer's installation instructions. Failure to do so will void the warranty.

Installation tips

1. If trimming is necessary, cut covers up to 1/16" (1.6mm) longer to ensure a tight fit.

Section View



Recommended tools

Safety Glasses, Tape Measure, Level, Power Drill, Drill Bits - (concrete/concrete block), Power Miter Saw, 10" Blade with 60-80 Carbide Tipped Teeth

IPC.443/REV.7

Installation Hotline • 866.EZINPRO
Inprocorp.com • 800.222.5556 • 262.679.9010
World Headquarters S80 W18766 Apollo Drive, Muskego, WI 53150 USA

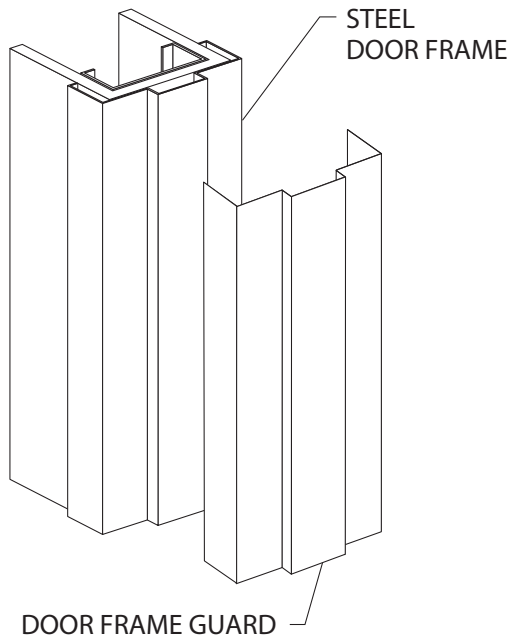
IPC®
DOOR + WALL PROTECTION SYSTEMS
A DIVISION OF INPRO®

Installation Instructions

Please read all instructions before installing door protector.

Custom Formed Vinyl, G Series Door Frame Guard or G2 BioBlend® Series Door Frame Guard

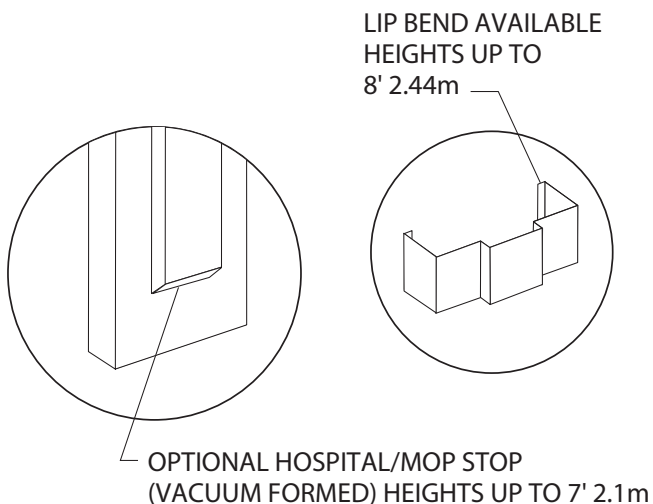
FIG. 1



1. The door frame must be smooth, dry and free from dirt, dust, oil, loose paint, wax and grease.
2. Apply 3M Fastbond 30 Contact Cement with brush to back of door frame guard and painted or primed door frame. Let the contact cement dry completely. After contact cement is dry, the installation must be completed within four hours. Properly position the door frame guard on the frame. Press the door frame guard on the frame and apply pressure with an IPC extension roller. Roll entire surface to eliminate air pockets and ensure complete adhesion. SEE FIG. 1

NOTE: On the hinge side of the door frame, unscrew the hinges from the door frame and follow the same step as above. Once the door frame guard is applied, trim the opening for the hinge with a utility knife and reattach the hinge.

APPLY CONTACT CEMENT TO BOTH DOOR FRAME AND BACK OF DOOR FRAME GUARD



Installation Hotline • 866.EZINPRO
Inprocorp.com • 800.222.5556 • 262.679.9010
World Headquarters S80 W18766 Apollo Drive, Muskego, WI 53150 USA

IPC®
DOOR + WALL PROTECTION SYSTEMS
A DIVISION OF INPRO®