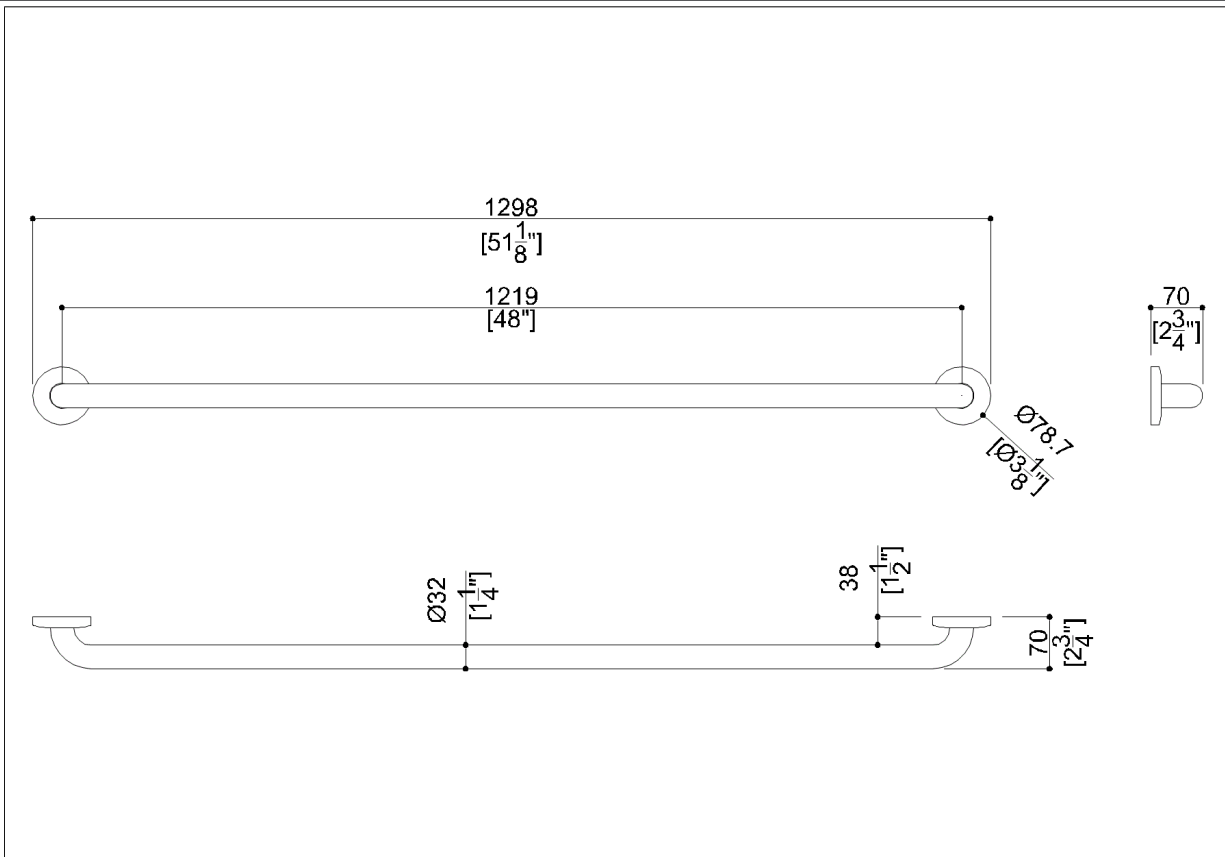


Straight Grab Bar - 48"

Technical Data



Safety grab bar, straight

Code **DSGB48ADA** Series **Stainless Steel Grab Bars**

Net weight lb. 3,31 Dimensions [WxDxH] In. 51 1/8x2 3/4x3 1/8

In use weight capacity Vertical lb. 450,00

Use and installation info

Use a soft, moist cloth soaked with liquid soap and/or other liquid sanitizing substances. DO NOT USE abrasive liquid detergents, chlorine bleach or strong acids.

Fasteners

Installations hardware included with the product

Inpro suggests to use fasteners suitable for the wall conditions on which the product will be installed.

Packaging information

Dimensions [WxDxH] In. 51 1/8x2 3/4x3 1/8 Weight lb. 3,31

Available colours

STS/STN - Satin Stainless Steel



06/17/2020