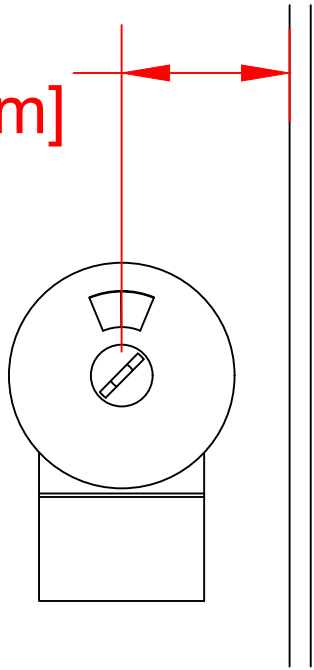
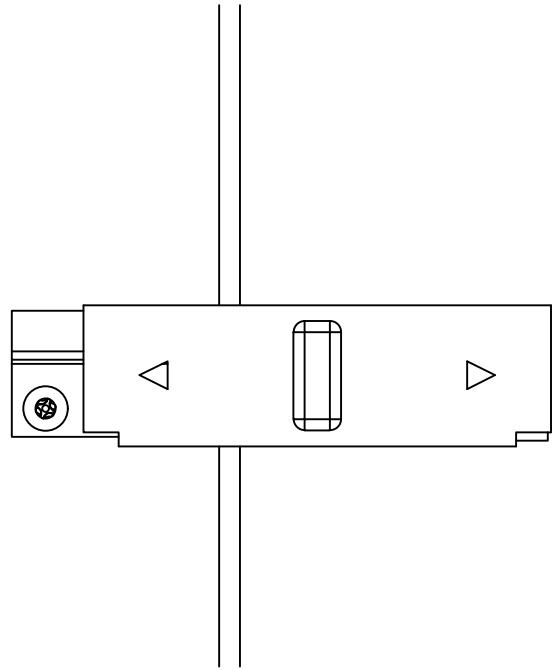


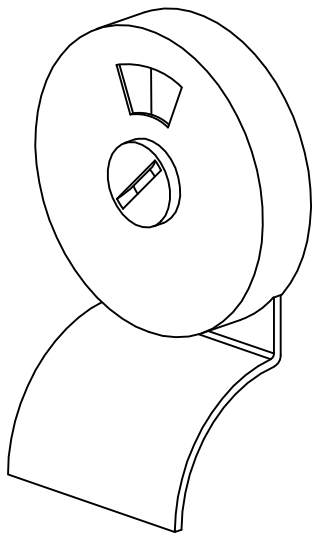
1 1/2"
[38.1mm]



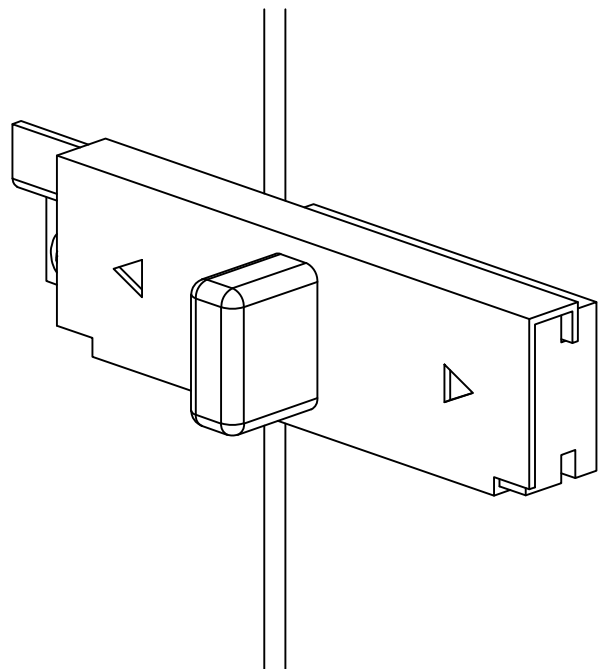
OUTSIDE OF STALL



INSIDE OF STALL



OUTSIDE OF STALL (ISO)



INSIDE OF STALL (ISO)

DATE: 01/29/2019

SCALE: NTS

DOC.CADEN.099/rev 1

EMERGENCY ACCESS
INDICATOR LATCH
(DSPPH130589 & DSSPH130579)

inpro.