

Installation Instructions

Please read all instructions before installing corner guard.

G2-BioBlend® Retainer High Impact Corner Guards

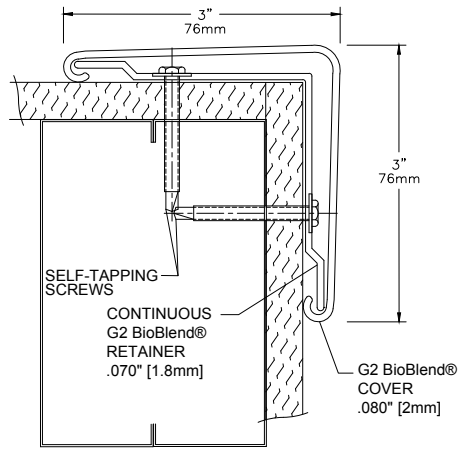
Models: G2-150R, G2-160R, G2-170-R, G2-130R

Important

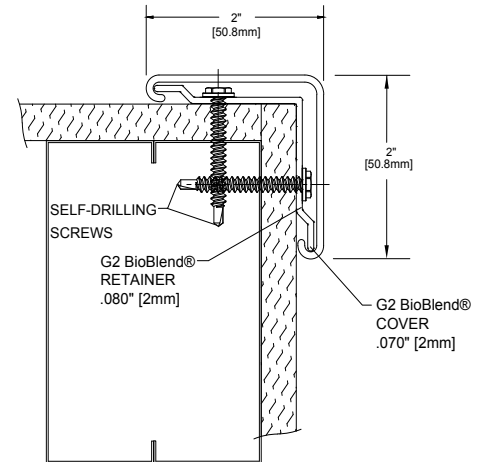
1. Acclimate materials 24 hrs before installation. Maintain temperature controlled environment after installation
2. Install in accordance with manufacturer's installation instructions. Failure to do so will void the warranty.

Installation tips

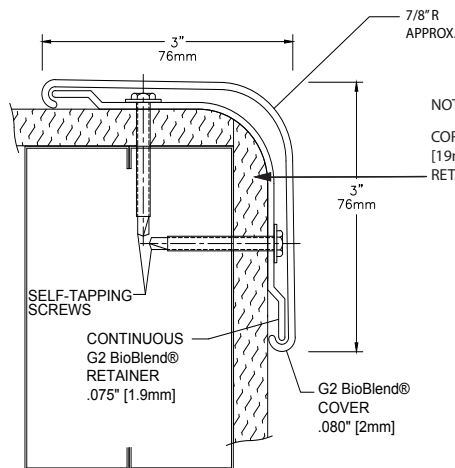
1. Cut covers up to 1/16" (1.6mm) longer to ensure a tight fit.



G2-150 CG

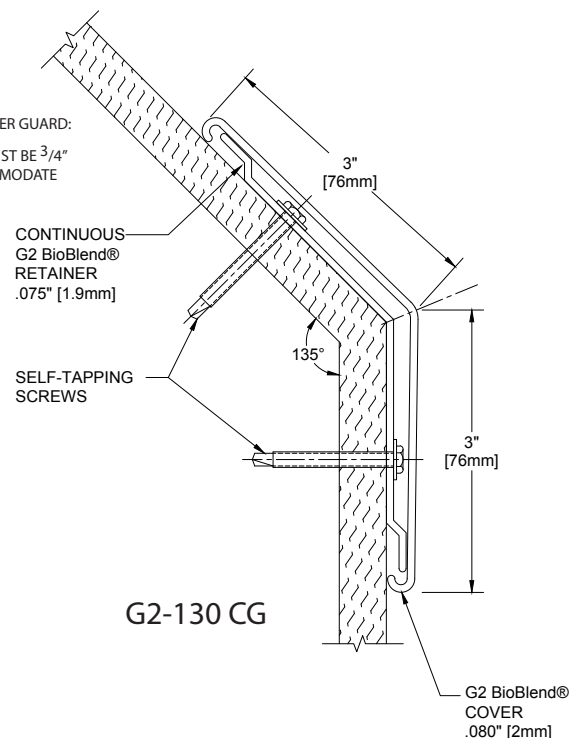


G2-160 CG



G2-170 CG

NOTE FOR 170CG 90° CORNER GUARD:
CORNER BEAD OF WALL MUST BE 3/4" [19mm] RADIUS TO ACCOMMODATE RETAINER



G2-130 CG

SECTION VIEWS

Recommended tools

Safety Glasses, Tape Measure, Level, Power Drill, 1/4" Socket, Drill Bits - 1/4" masonry (concrete/concrete block), Power Miter Saw, 10" Blade with 60-80 Carbide Tipped Teeth

IPC.1743/REV.2

Installation Hotline • 866.EZINPRO

Inprocorp.com • 800.222.5556 • 262.679.9010

World Headquarters S80 W18766 Apollo Drive, Muskego, WI 53150 USA

IPC®

DOOR + WALL PROTECTION SYSTEMS
A DIVISION OF INPRO®

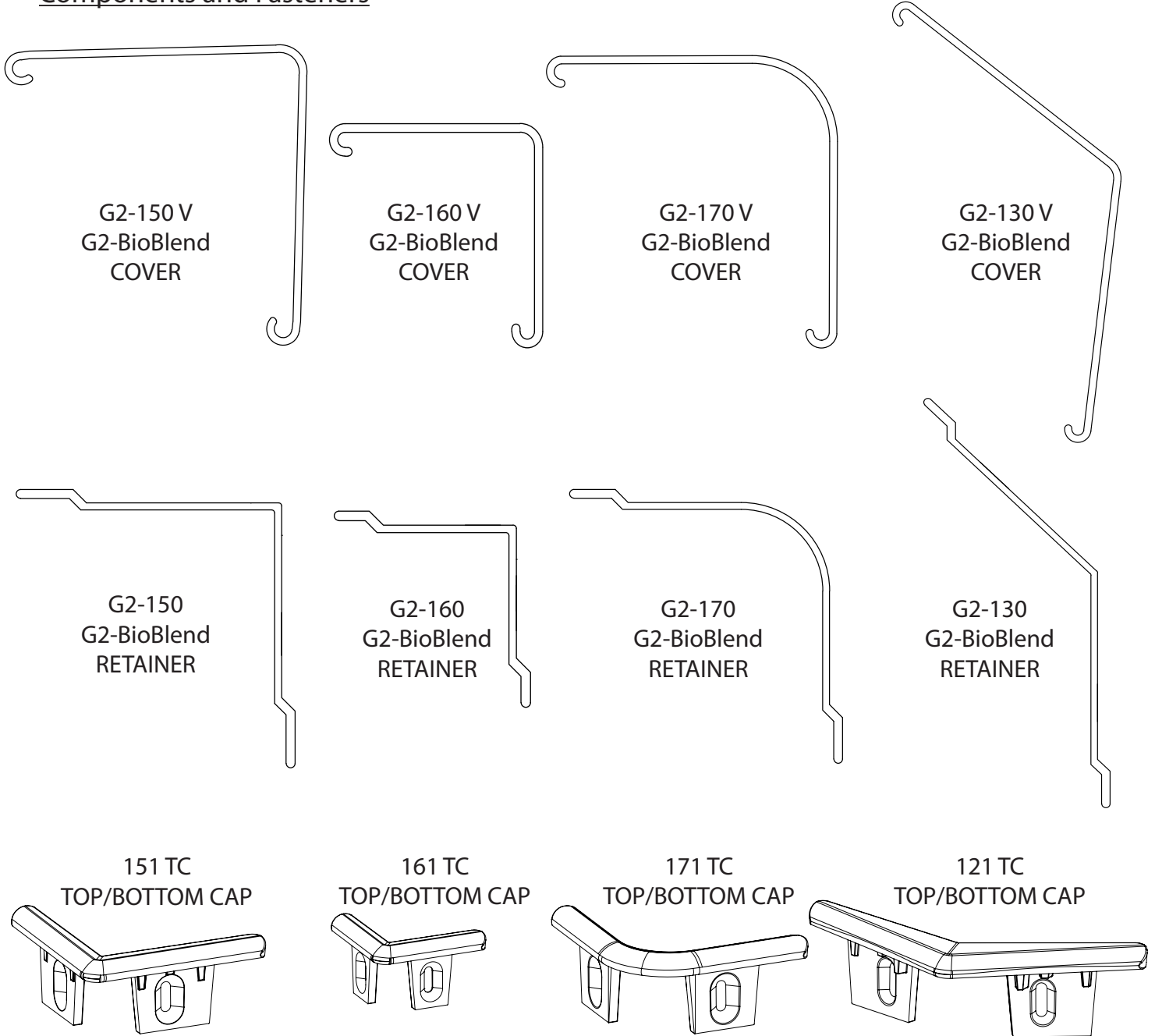
Installation Instructions

Please read all instructions before installing corner guard.

G2-BioBlend® Retainer High Impact Corner Guards

Models: G2-150R, G2-160R, G2-170-R, G2-130R

Components and Fasteners



Wall Condition	Specified Fasteners	Inpro Part #
Drywall/Wood	#8 x 1-1/4" Phillips Flat-Head Self-Tapping Screw, #8 x 1-1/2" Phillips Indented hex washer head self-drilling screw	HWK-HIGC4DW (4 foot) HWK-HIGC8DW (8 foot) HJWK-HIGC9DW (9 and 12 foot)
Concrete/Concrete Block	#8 x 1-1/2" Phillips Flat Head Sheet Metal Screw, #10 x 1-3/4" Phillips Pan Head Sheet Metal Screw and 1/4" Alligator Anchor	HWK-HIGC4C (4 foot) HWK-HIGC8C (8 foot) HJWK-HIGC9C (9 and 12 foot)

Installation Hotline • 866.EZINPRO
Inprocorp.com • 800.222.5556 • 262.679.9010
World Headquarters S80 W18766 Apollo Drive, Muskego, WI 53150 USA

IPC®
 DOOR + WALL PROTECTION SYSTEMS
 A DIVISION OF INPRO®

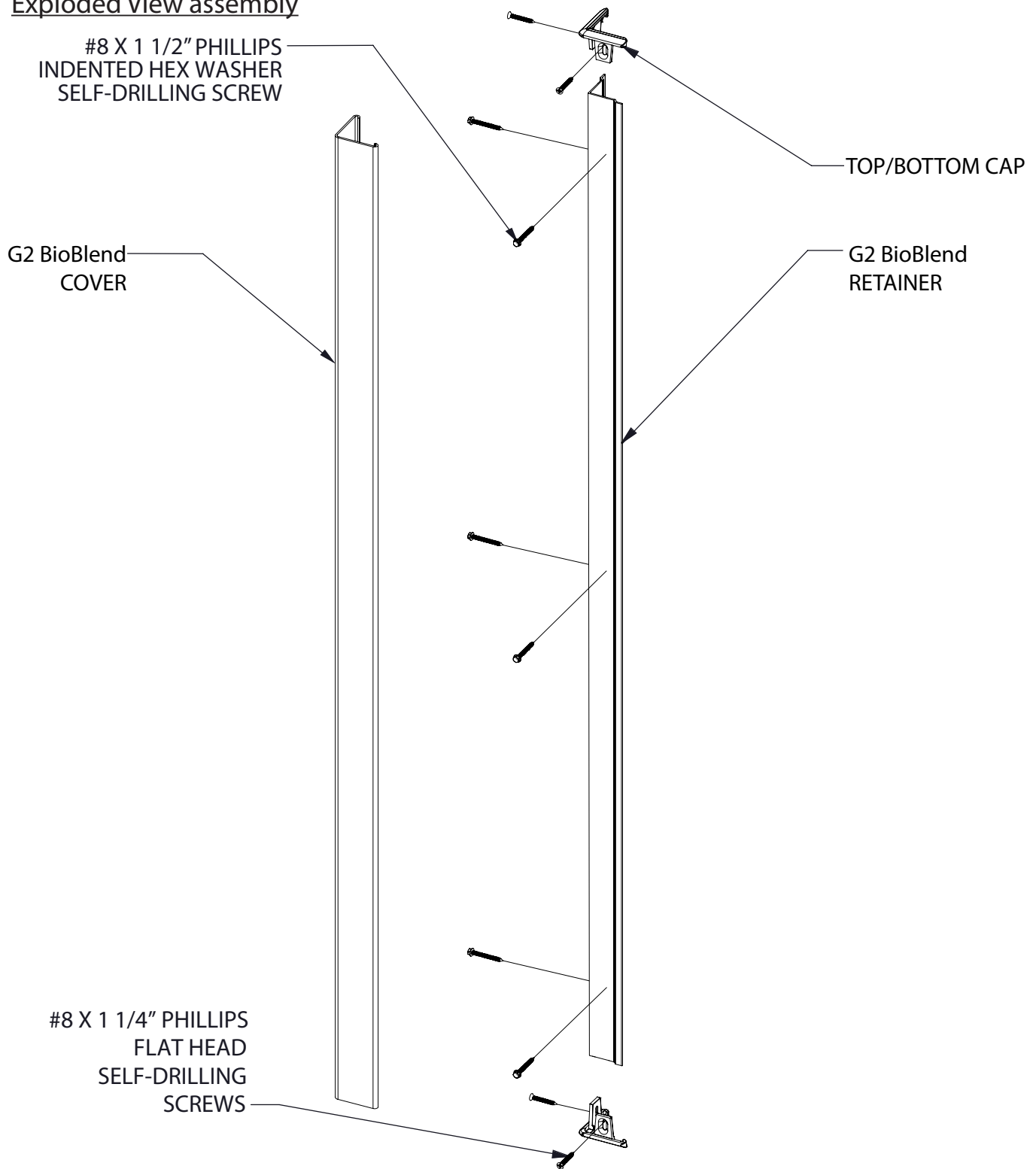
Installation Instructions

Please read all instructions before installing corner guard.

G2-BioBlend® Retainer High Impact Corner Guards

Models: G2-150R, G2-160R, G2-170-R, G2-130R

Exploded View assembly



Installation Hotline • 866.EZINPRO

Inprocorp.com • 800.222.5556 • 262.679.9010

World Headquarters S80 W18766 Apollo Drive, Muskego, WI 53150 USA

IPC®

DOOR + WALL PROTECTION SYSTEMS
A DIVISION OF INPRO®

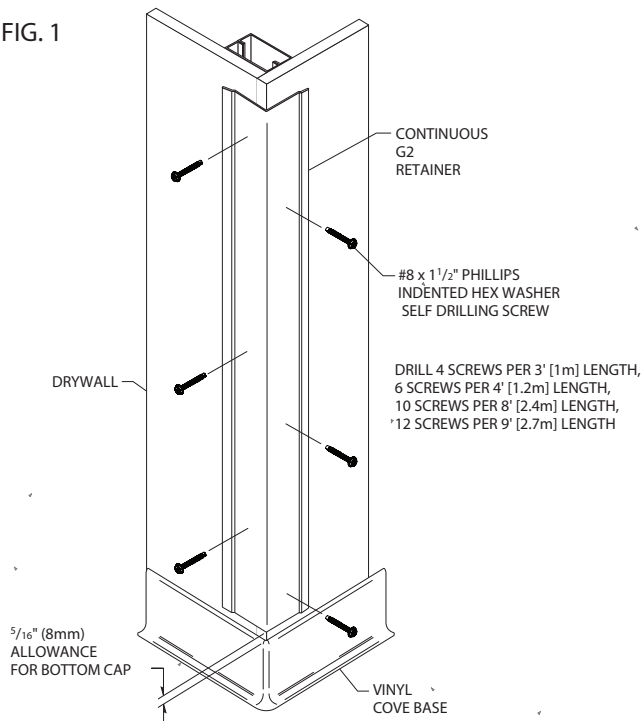
Installation Instructions

Please read all instructions before installing corner guard.

G2-BioBlend® Retainer High Impact Corner Guards

Models: G2-150R, G2-160R, G2-170-R, G2-130R

FIG. 1



Please read all instructions before installing corner guards.

Material must be stored, installed and used in environmentally controlled conditions.

1. Position retainer against wall, leaving allowance for bottom cap. Secure retainer to the wall by staggering fasteners on each wing of the retainer. See Figure 1.

Note for concrete installation: Use the slotted tabs on the top and bottom caps to transfer and drill 1/4" (6.5mm) holes into the ends of the retainer. Also drill 1/4" (6.5mm) holes staggered on each wing of the retainer. Drill 4 holes per 3' (.91m) length, 6 holes per 4' (1.22m) length, 10 holes per 8' (2.44m) length or 12 holes per 9' (2.74m) length. Transfer the location of the mounting holes to the wall. Drill marked holes on wall using a 1/4" (6mm) drill bit and position Alligator anchors into holes. Mount retainer on wall with #10 x 1 3/4" phillips pan head screws and tighten to secure.

Note for 170BN Blunose 90° Bullnose Corner Guard: Corner bead of wall must be 3/4" (19mm) radius to accommodate retainer.

2. Overlap the retainer with the mounting tabs of the top and bottom caps and attach them to retainer. Stagger the fasteners on each wing of the cap. See Figure 2.

When installing flexible top caps on custom angle corner guards, use cup washers and flat head screws to fasten the top caps to the retainer. See Figure 2a.

Note for concrete installation: Overlap the retainer with the mounting tabs of the top and bottom caps and attach them to retainer and into the Alligator anchors using two, #8 x 1 1/2" phillips flat head screws per cap.

FIG. 2

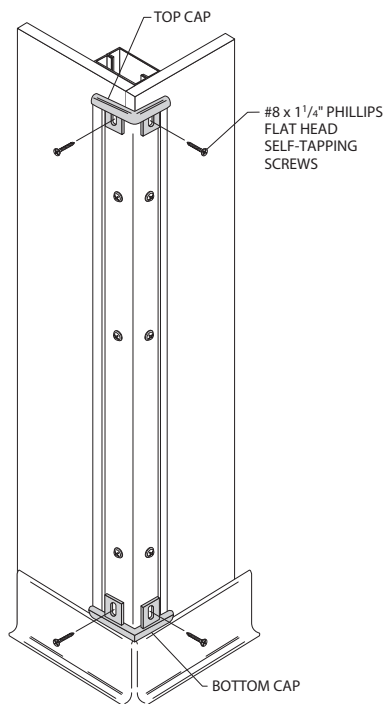
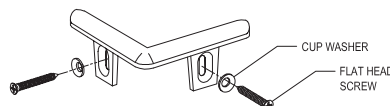


FIG. 2a



Installation Hotline • 866.EZINPRO

Inprocorp.com • 800.222.5556 • 262.679.9010

World Headquarters S80 W18766 Apollo Drive, Muskego, WI 53150 USA

IPC®

DOOR + WALL PROTECTION SYSTEMS
A DIVISION OF INPRO®

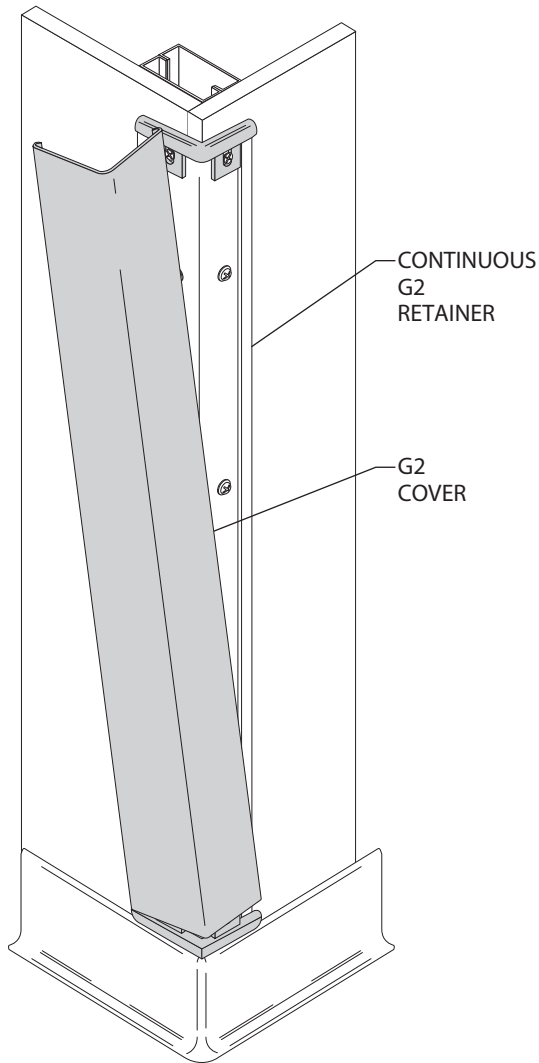
Installation Instructions

Please read all instructions before installing corner guard.

G2-BioBlend® Retainer High Impact Corner Guards

Models: G2-150R, G2-160R, G2-170-R, G2-130R

FIG. 3



3. Position cover on retainer and adjust the top cap for a tight fit. Starting at the top, push cover onto retainer pressing over the entire length until it snaps into place. See Figure 3.

Installation Hotline • 866.EZINPRO

Inprocorp.com • 800.222.5556 • 262.679.9010

World Headquarters S80 W18766 Apollo Drive, Muskego, WI 53150 USA

IPC® •

DOOR + WALL PROTECTION SYSTEMS
A DIVISION OF INPRO®