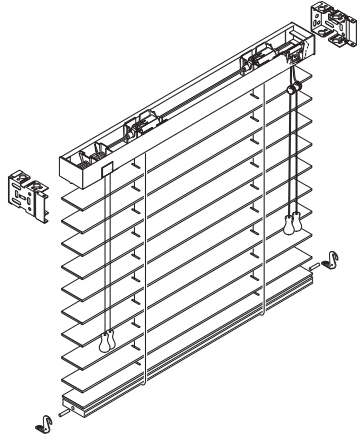


Graber Lake Forest 2" Faux Wood Blinds

Data Sheet

Product Features



- Flat PVC slats meet NFPA 701
- SureClose™ headrail system
- Cord tilt standard
- Wand tilt option
- Braided ladder standard
- NoHoles™ privacy option
- 2½" slat option
- Fabric tape option
- Cordless
- Five year warranty

Product Specifications

SureClose™ Headrail shall be 1⁵/₈" high x 2¹/₄" wide x .022" thick U-shaped, extruded steel with 1/8" light-blocking lip on the bottom center line. The steel finishing process includes phosphate treatment for corrosion resistance, a chrome-free sealer, a low HAP urethane primer and a topcoat with low HAP, polyester-baked enamel.

Valance Choices include Classic and Majestic.

Cord Tilter shall be a snap-in component incorporating a worm and pulley of low-friction thermoplastic and nylon gear. Tilt cords shall be secured to pulley and treated with tassels at tilt end.

Tilt rod shall be electro-zinc coated solid steel measuring 1/4" square.

Cord lock shall be metal of a snap-in design incorporating a floating, shaft-type locking pin and shall incorporate a crash-proof safety feature that will lock blind automatically upon release of cord.

Cradles shall be made of low-friction polypropylene with metal lift cord rollers.

Drums shall be made of high strength thermoplastic, which securely anchors braided ladder.

Braided ladder shall be made of 100% polyester yarn, incorporating two extra strength rungs per ladder for slat support. Standard ladder spacing shall be 44mm.

Installation brackets shall be a universal style with hinged front cover phosphate-treated steel with urethane primer and polyester-baked enamel finish to match headrail.

Slats shall be rigid, UV-stabilized, flat PVC normally 2" wide x .10" thick with straight cut edges. Slats meet the requirement of NFPA 701 Test Method 1-2004 edition.

Bottomrail shall be extruded foam PVC 9/16" high x 2" and shall coordinate with slats. 2" and 2½" Faux Wood blinds have a flat bottomrail.

Cordless lift option uses 2" x 2 1/4" steel headrail with wand tilt only. Available on 2" and 2½" slats only.

Options :

- 2½" slat
- NoHoles™ privacy slat
- Fabric tapes 1½" or 1"
- Wand tilt (2" only)
- Ring pull
- Ring tilt (2" only)
- Extension brackets
- Hold-down brackets
- Cut-outs

IPC.1984/Rev.1

Graber Lake Forest 2" Faux Wood Blinds

Suggested Specifications

PART 1 – GENERAL

1.01 DESCRIPTION

A. Furnish and install Graber® Horizontal Blinds, in accordance with specifications, drawings and contract documents.

1.02 SUBMITTALS

A. Manufacturer's complete CSI 3-part specification sheet.
B. Product Sample: Submit working hand sample or mock up blind as required.
C. Color Sample: Submit two 6" samples of slat material indicating color and dimensions.

1.03 DELIVERY, STORAGE AND HANDLING

A. Product to be delivered to jobsite in manufacturer's original packaging.
B. Products to be handled and stored to prevent damage to materials, finishes and operating mechanisms. Store in a clean, dry area, laid flat to prevent sagging and twisting of packaging.

1.04 PROJECT / SITE CONDITIONS

A. Building shall be enclosed; and windows, frames and sills shall be installed and glazed.
B. Wet work shall be complete and dry.
C. Ceilings, window pockets, electrical and mechanical work above window covering shall be complete.
D. Electrical power (110 volt AC) shall be available for installer's tools within 500 feet of product installation areas.

1.05 QUALITY ASSURANCE

A. Manufacturer, subsidiary or licensed agent shall be approved to supply the products specified, and to honor any claims against product presented in accordance with warranty.
B. Installer or agent shall be qualified to install specified products by prior experience, demonstrated performance and acceptance of requirements of manufacturer, subsidiary, or licensed agent. Installer shall be responsible for an acceptable installation.

1.06 LIMITED LIFETIME WARRANTY

A. Inpro Corporation warrants the product against original defects in materials or workmanship for the life of the blind. Inpro does not warrant damage due to accidents,

misuse, abuse, improper installation, alterations or improper cleaning.

PART 2 – PRODUCTS

2.01 ACCEPTABLE MANUFACTURERS/ DISTRIBUTOR

A. Clickeze, Inpro Corporation, PO Box 406 Muskego, WI 53150 USA; Telephone: 800-222-5556, Fax: 888-715-8407, Internet address: <http://www.inprocorp.com>
B. Substitutions: Not permitted
C. Provide all window treatments from a single source.

2.02 HORIZONTAL BLINDS

A. Product: Graber® Lake Forest™ 2" Faux Wood Blinds
a. SureClose® Headrail shall be 1-5/8" high x 2-1/4" wide x .022" thick U-shaped steel with 1/8" light blocking lip on the bottom center line. The steel finishing process includes phosphate treatment for corrosion resistance, a chrome-free sealer, a low HAP urethane primer and a topcoat with low HAP polyester baked enamel.
b. Cord tilter shall be a snap-in component incorporating a worm and pulley of low-friction thermoplastic and nylon gear. Tilt cords shall be secured to pulley and treated with tassels at tilt end.
c. Tilt rod shall be electro-zinc coated solid steel measuring 1/4" square.
d. Cord lock shall be metal of a snap-in design incorporating a floating, shaft-type locking pin. Cord lock shall incorporate a crash proof safety feature that will lock blind automatically upon release of cord. End of lift cords will be treated with tassels.
e. Drums shall be made of high strength thermoplastic, which securely anchors braided ladder.
f. Installation brackets shall be a rivet-hinged front cover phosphate-treated steel with urethane primer and polyester baked enamel finish to match headrail.
g. Braided ladder shall be made of 100% polyester incorporating two extra strength rungs per ladder to support slats. Standard ladder spacing is 44mm.
h. Slats shall be rigid UV stabilized flat PVC nominally 2" wide x .10" thick with straight

cut edges. Slats meet the requirement of NFPA 701 Test Method 1-2004 edition.

i. Bottomrail shall be extruded foam PVC 9/16" high x 2" wide and shall coordinate with slats.

j. Options shall include:

- i. 2-1/2" slat width
- ii. Fabric tape 1" or -1/2"
- iii. NoHoles™ privacy slat
- iv. Ring pull
- v. Extension brackets
- vi. Hold down brackets
- vii. Cut outs
- viii. Cordless (2" slat only)

2.03 FABRICATION

A. Blinds shall be fabricated according to specifications and accurate to tolerance established by SWF engineering standards.

PART 3 – EXECUTION

3.01 INSPECTION

A. Installer shall be responsible for inspection of jobsite, approval of mounting surfaces, verification of field measurements and installation conditions. Installation shall commence when satisfactory conditions are met.

3.02 INSTALLATION

A. Install blinds in accordance with manufacturer's instructions including recommended support brackets and fasteners.
B. Install blinds with adequate clearance to permit smooth operation of the blinds. Demonstrate blinds to be in smooth, uniform working order.

3.03 MAINTENANCE AND CLEANING

A. Clean blinds with mild soap and water only. Do not use cleaning methods involving heat, bleach, abrasives, or solvents. Do not use window cloths with paper content. Use of these methods will void the warranty.