

Installation Instructions

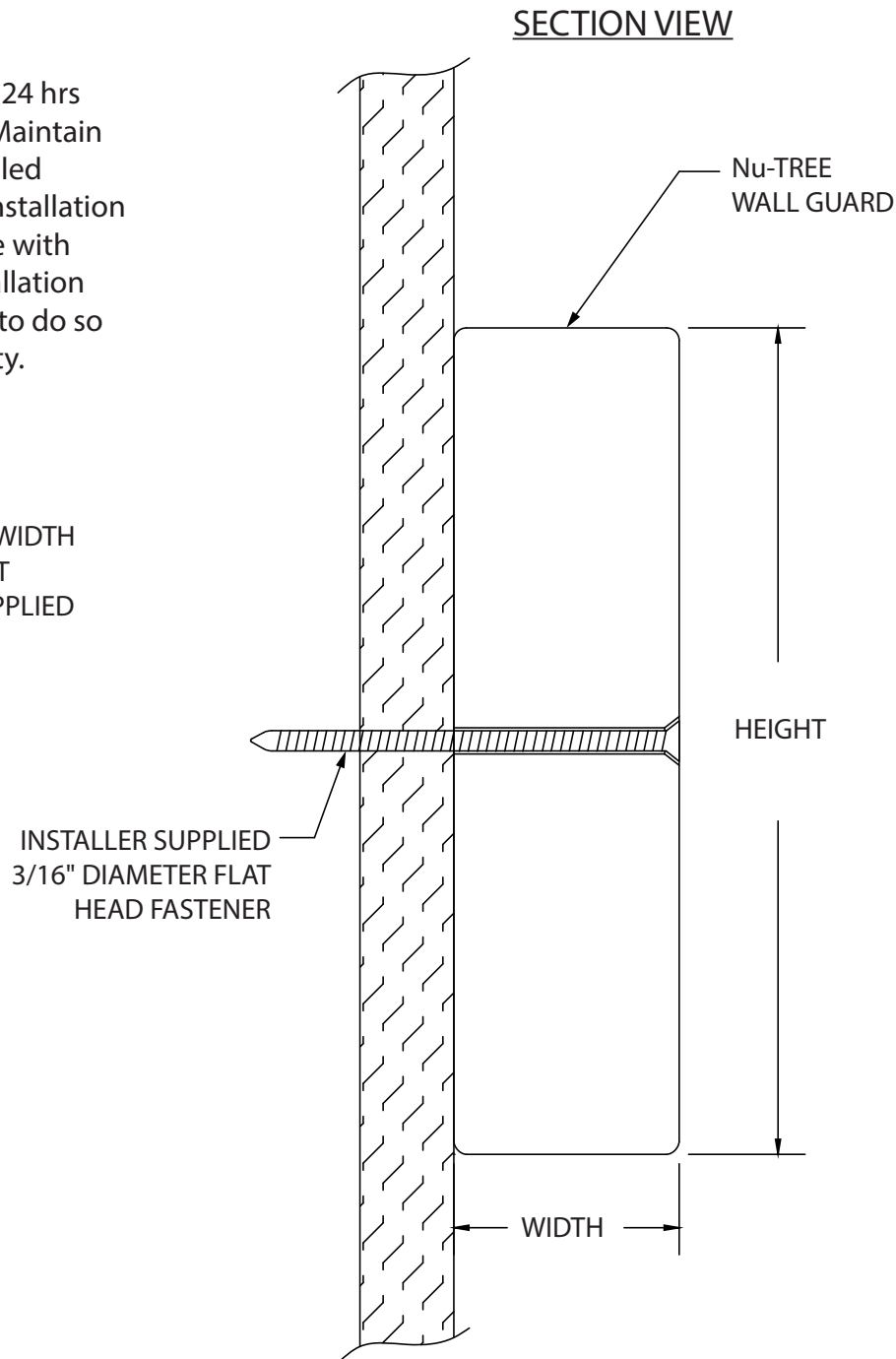
Please read all instructions before installing wallguard.

Nu•Tree Wall Guard

Important

1. Acclimate materials 24 hrs before installation. Maintain temperature controlled environment after installation
2. Install in accordance with manufacturer's installation instructions. Failure to do so will void the warranty.

NOTE: HEIGHT AND WIDTH DEPENDENT ON PART NUMBER. CHART SUPPLIED ON NEXT PAGE



Recommended tools

Safety Glasses, Tape Measure, Level, Power Drill, Drill Bits, Power Miter Saw, 10" Blade with 60-80 Carbide Tipped Teeth

IPC.379/REV.6

IPC® Door + Wall Protection

inpro.com • 800.222.5556 • 262.679.9010

World Headquarters S80 W18766 Apollo Drive, Muskego, WI 53150 USA

Installation Hotline: 866.394.6776

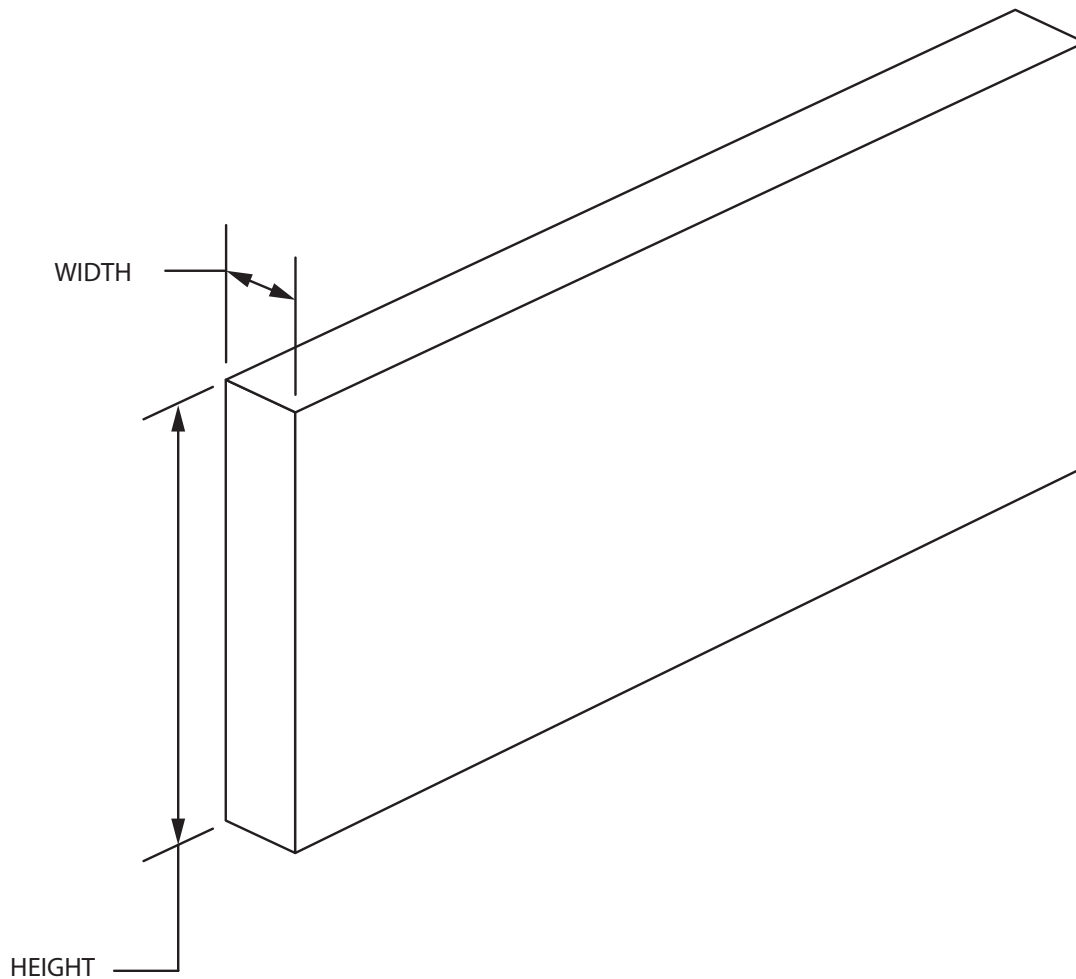
inpro®

Installation Instructions

Nu•Tree Wall Guard

Please read all instructions before installing wallguard.

COMPONENTS AND FASTENERS



Part Number	Width	Height	Length
NT-140	1/2" [13 mm]	8" [203 mm]	12' [3657 mm]
NT-250	3/4" [19 mm]	3 1/2" [89 mm]	12' [3657 mm]
NT-518	1" [25 mm]	5 1/2" [140 mm]	12' [3657 mm]
NT-690	1 1/2" [38 mm]	5 1/2" [140 mm]	12' [3657 mm]
NT-694	1 1/2" [38 mm]	7 1/2" [190 mm]	12' [3657 mm]
NT-695	1 1/2" [38 mm]	9 1/2" [241 mm]	12' [3657 mm]

IPC® Door + Wall Protection

inpro.com • 800.222.5556 • 262.679.9010

World Headquarters S80 W18766 Apollo Drive, Muskego, WI 53150 USA

Installation Hotline: 866.394.6776

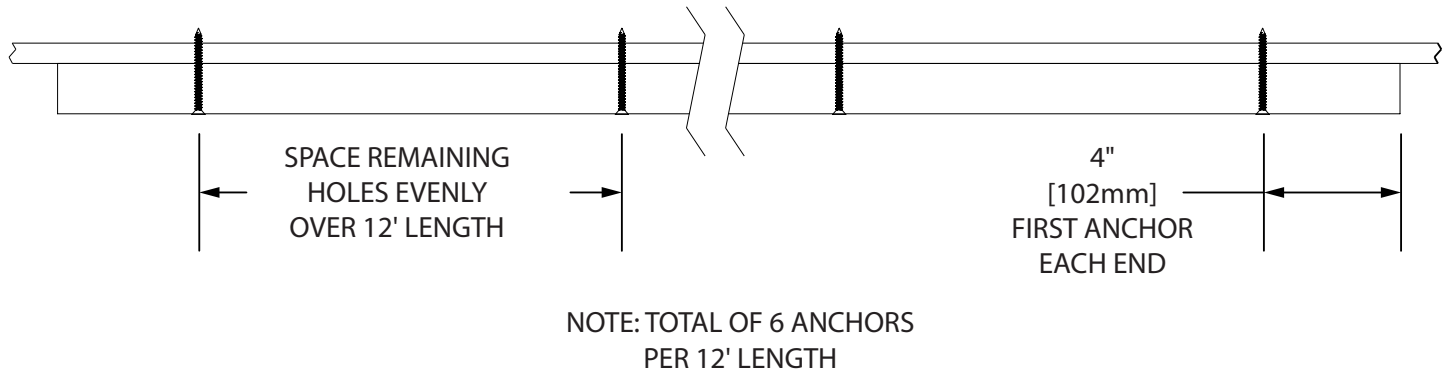
inpro®

Installation Instructions

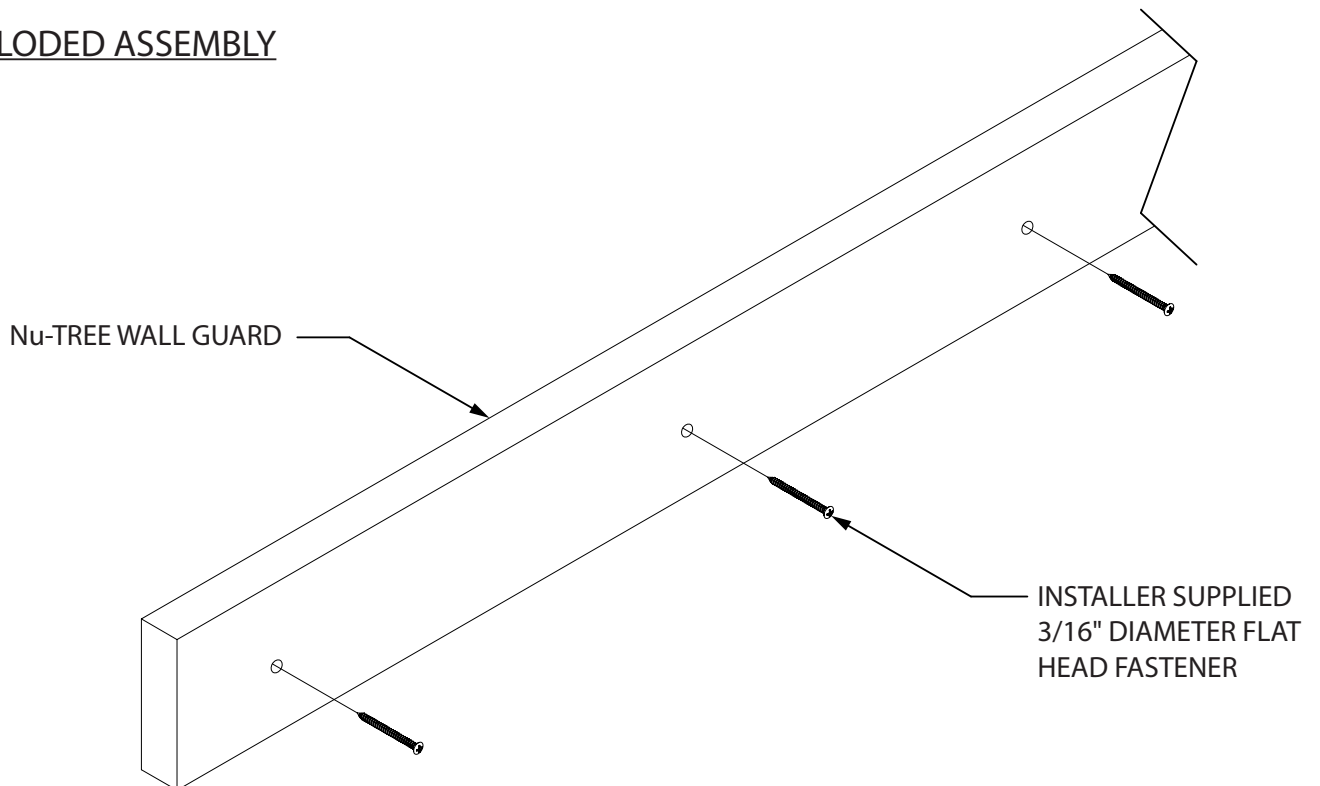
Nu•Tree Wall Guard

Please read all instructions before installing wallguard.

LAYOUT VIEW



EXPLODED ASSEMBLY



IPC® Door + Wall Protection

inpro.com • 800.222.5556 • 262.679.9010

World Headquarters S80 W18766 Apollo Drive, Muskego, WI 53150 USA

Installation Hotline: 866.394.6776

inpro®

