

Installation Instructions

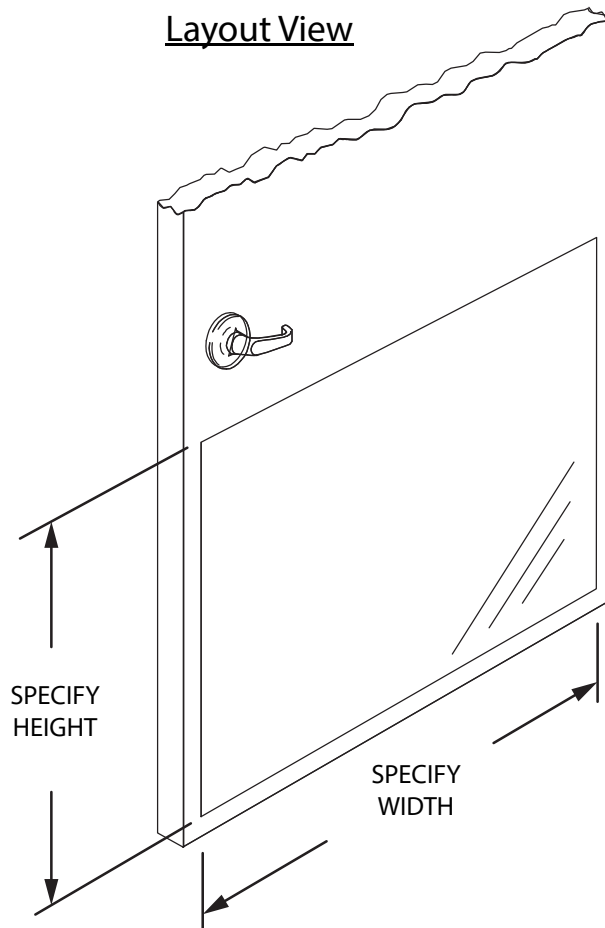
Stainless Steel Kickplate

Please read all instructions before installing kickplate.

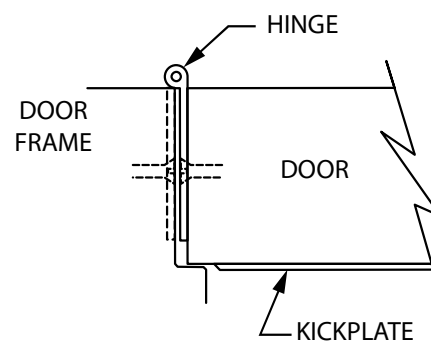
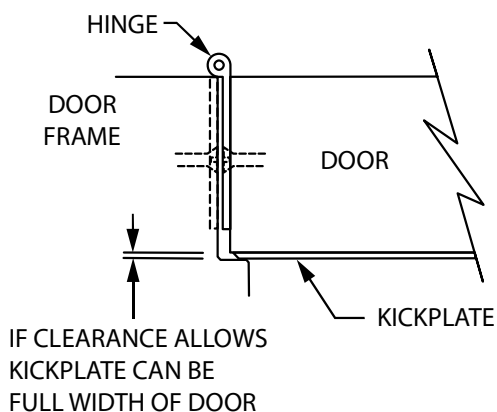
Important

1. Acclimate materials 24 hrs before installation. Maintain temperature controlled environment after installation.
2. Install in accordance with manufacturer's installation instructions. Failure to do so will void the warranty.

Layout View



Section View



Recommended tools

Safety Glasses, Tape Measure, Level, Power Drill or Phillips Screw Driver, Painters Tape and Caulk Gun

IPC.449/REV.7

IPC® Door + Wall Protection

inpro.com • 800.222.5556 • 262.679.9010

World Headquarters S80 W18766 Apollo Drive, Muskego, WI 53150 USA

Installation Hotline: 866.394.6776

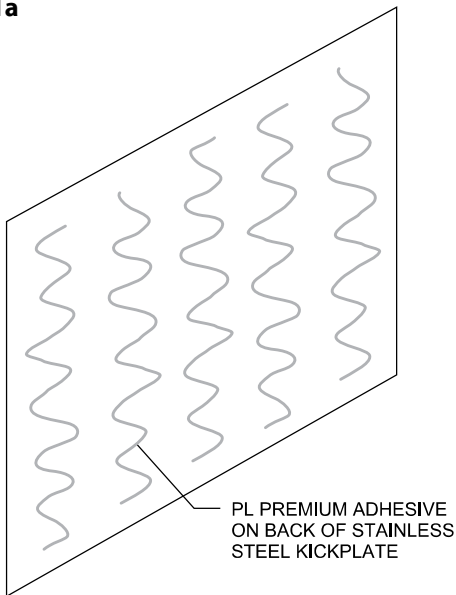
inpro®

Installation Instructions

Stainless Steel Kickplate

Please read all instructions before installing kickplate.

FIG. 1a



1. The door surface must be dry and free of dirt, dust, oil, loose paint, wax and grease.

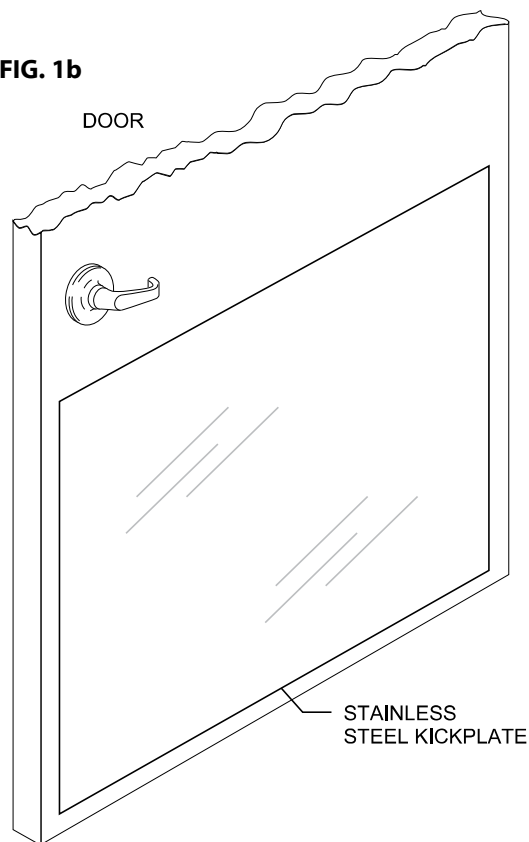
2. CEMENT-ON INSTALLATION

Apply a bead of PL Premium Heavy Duty Adhesive in a zig-zag pattern over the back of the kickplate. SEE FIG. 1a

Position the kickplate on the door and apply pressure until a tight fit is achieved. Painter's tape or clamping may be required to hold kickplate in position until the adhesive cures. Choose a tape that will not damage the doors' finish.

Remove the protective plastic coating from the exposed surface of the kickplate. SEE FIG. 1b

FIG. 1b



IPC® Door + Wall Protection

inpro.com • 800.222.5556 • 262.679.9010

World Headquarters S80 W18766 Apollo Drive, Muskego, WI 53150 USA

Installation Hotline: 866.394.6776

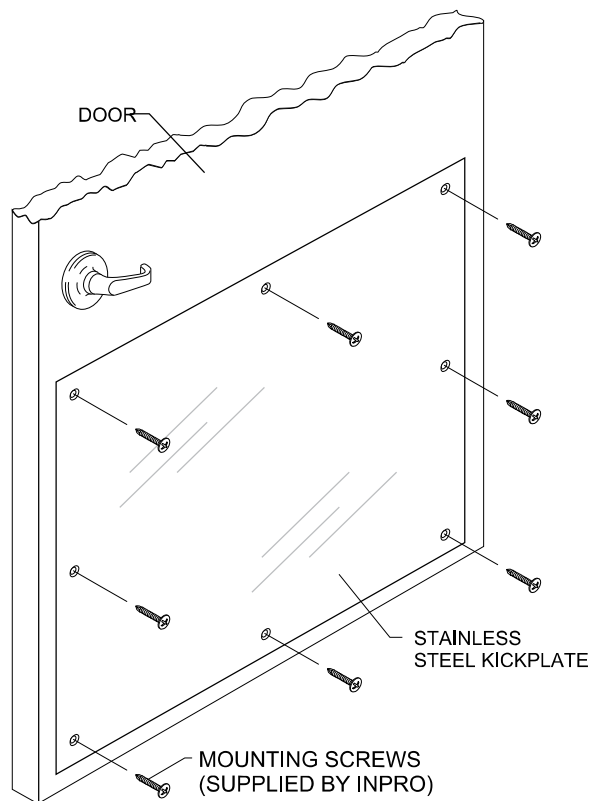
inpro®

Installation Instructions

Stainless Steel Kickplate

Please read all instructions before installing kickplate.

FIG. 2



3. SCREW-ON INSTALLATION

Attach kickplate to door with provided hardware. Remove the protective plastic coating from the exposed surface of the kickplate. SEE FIG. 2