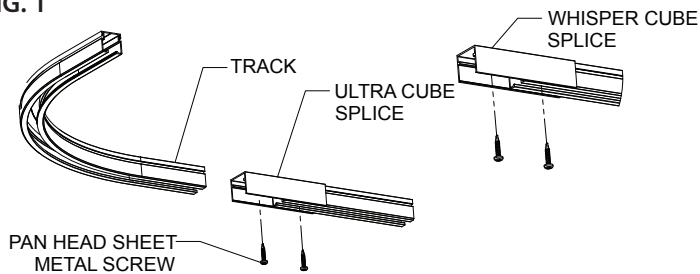


# Installation Instructions

## Ultra Cube Track with IV

FIG. 1



**Note: Verify the drop ceiling is installed and functioning properly before installing track.**

1. Layout track sections on the floor. Join bends to straight sections of track with a splice. Attach splice to track with sheet metal screws. Trim track sections as required by layout. (See Figure 1)

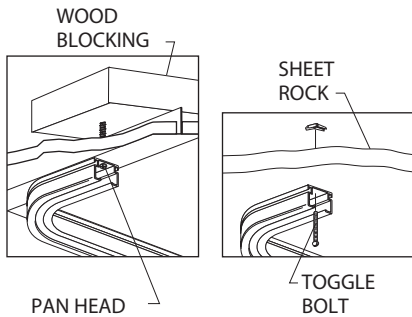
2. Attach the track assembly to the ceiling with one of the following methods:

Option 2a. With wood blocking\* or sheet metal, attach with pan head wood screws through the ceiling tile and into the blocking.

Option 2b. On sheet rock, attach with toggle bolt assemblies through the sheet rock.

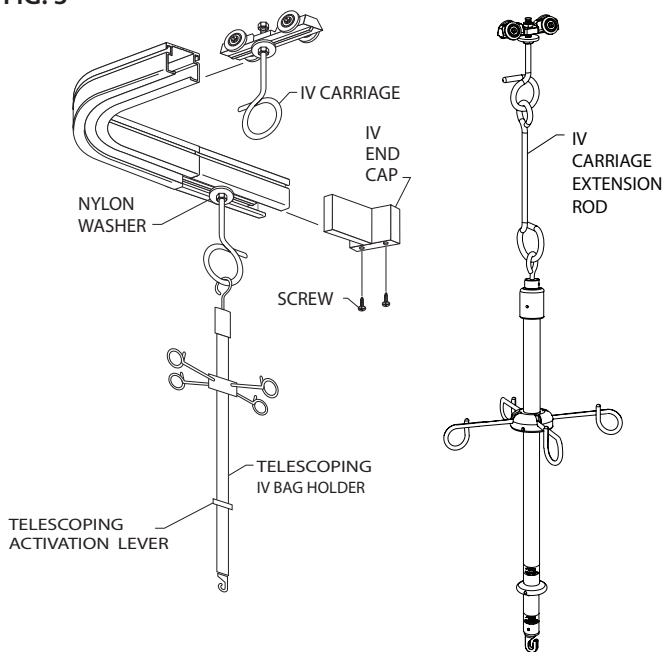
With all methods, fasteners should be spaced 24". (See Figure 2)

FIG. 2



3. Slide the I.V. carriage in the track making sure the nylon washer on the carriage is below the track. Attach end caps on the open ends. Add the I.V. carriage extension rod to the carriage hook. Attach the I.V. bag holder to the extension rod. (See Figure 3).

FIG. 3



4. To operate the IV carriage, rotate the bag holder clockwise until the carriage locks on the track. To loosen, rotate the bag holder counterclockwise and slide the carriage by moving the bag holder. Carriage may need to be loosened more when moving around bends.

5. To activate the Telescopic feature on the IV Bag Holder, pull Activation Lever down while holding bag holder tube. Release lever when bag holder is in the correct position.

\* Check your local fire codes for maximum amount of wood allowed when using wood blocking.

IPC.518/REV.8

CLICKEZE® Privacy Systems

inpro.com • 800.222.5556 • 262.679.9010

World Headquarters S80 W18766 Apollo Drive, Muskego, WI 53150 USA

Installation Hotline: 866.394.6776

**inpro**®