

Installation Instructions

UltraCube® and Whisper Cube® Tracks with Gridclips

FIG. 1

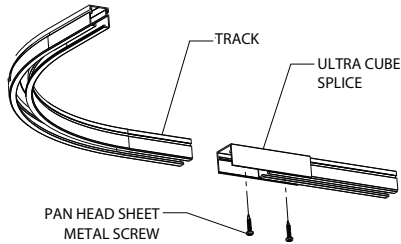


FIG. 2

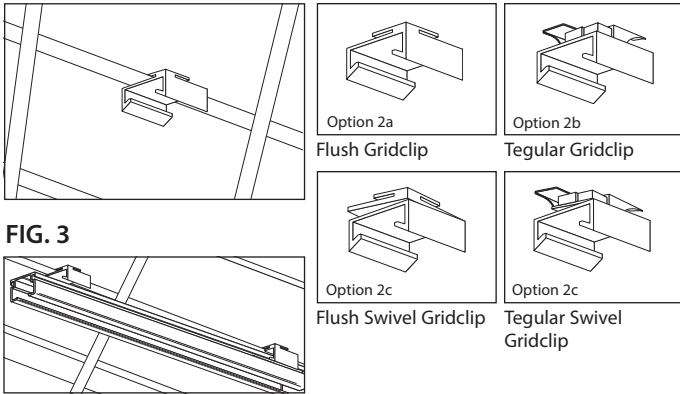


FIG. 3

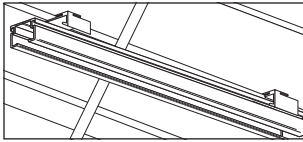


FIG. 4

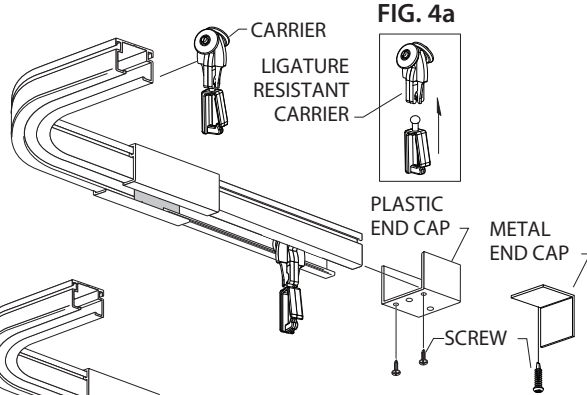
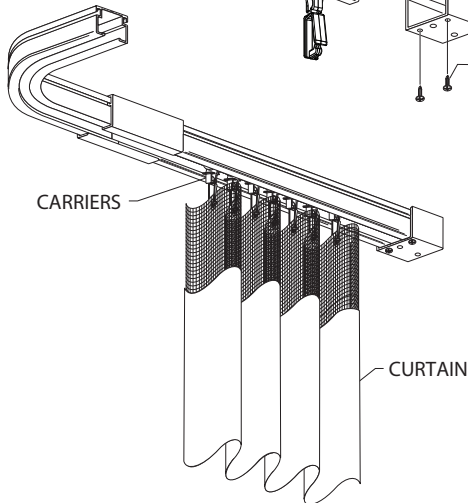


FIG. 5



Note: Verify the drop ceiling is installed and functioning properly before installing track.

1. Layout track sections on the floor. Join bends to straight sections of track with a splice. Attach splice to track with sheet metal screws. Trim track sections as required by layout. (See Figure 1)

2. Slide the gridclips on the ceiling grid with one of the following options (one gridclip every 2 feet): (See Figure 2)

Option 2a. Use flush gridclips for flush ceiling tiles.

Option 2b. Use tegular gridclips for tegular edge ceiling tiles.

Option 2c. Swivel gridclips to be used only on 12" radius bend only.

Never use swivel grid clips in lieu of standard grid clips on straight track.

3. Attach track to the gridclips by snapping the track into each gridclip. (See Figure 3)

4. Slide the carriers on the track and attach end caps (plastic or metal) on the open ends.

Option 4a. If using the Ligature Resistant* Carrier:

4a. Snap carrier onto body.

4a. Place carrier hooks into curtain grommets. Lock carriers into place.

4a. Slide carriers on the track.

* While these products are designed for behavioral health applications, they do not guarantee patient safety.

(See Figure 4)

5. Attach curtains to the carriers. (See Figure 5)

IPC.517/REV.9

CLICKEZE® Privacy Systems

inpro.com • 800.222.5556 • 262.679.9010

World Headquarters S80 W18766 Apollo Drive, Muskego, WI 53150 USA

Installation Hotline: 866.394.6776

inpro®