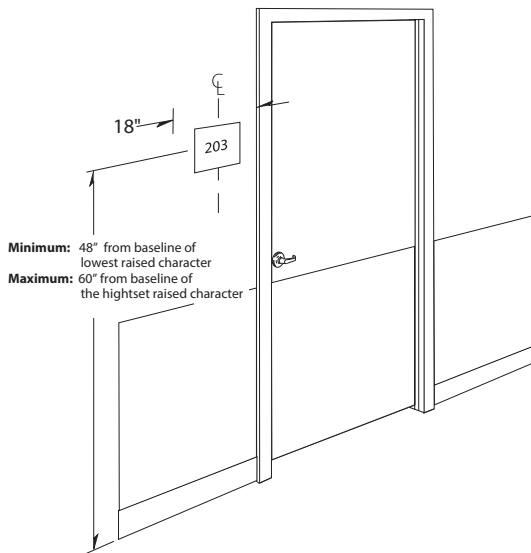


# Installation Instructions

## Unframed Wall Mount Signage

FIG. 1



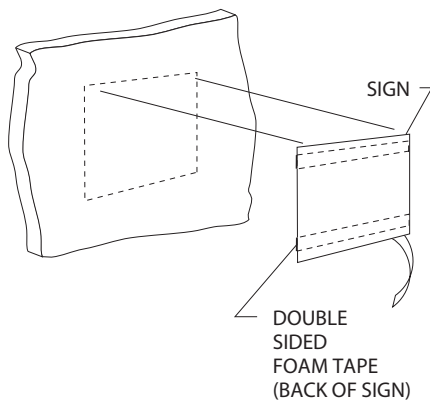
1. Determine the sign location on the wall. (See Figure 1)
  - a. The Americans with Disabilities Act (ADA) and Building Codes regulate the placement of signage in buildings. Follow building codes when installing signage. ADA Regulation 703.4.1: Height above Finished Floor or Ground. Where permanent identification is provided for rooms and spaces, signs shall be installed on the wall adjacent to the latch side of the door. Where there is no wall space to the latch side of the door, including at double leaf doors, signs shall be placed on the nearest adjacent wall. Tactile characters on signs shall be located 48" minimum above the finished floor, measured from the baseline of the lowest tactile character and 60 inches maximum above the finished floor, measured from the baseline of the highest tactile character.

### 2. DOUBLE-SIDED FOAM TAPE (See Figure 2)

Note: When adhering to textured or difficult surfaces, such as glazed block or wallpaper, use IPC #535 Heavy-Duty Adhesive to adhere signs.

- a. The wall must be dry, well sealed and free of dirt, loose paint, wax and grease.
- b. Mark the location of the sign on the wall.
- c. Remove the release liner from the double sided foam tape on the back of the sign.
- d. Position the sign on the wall making sure that the sign is level.
- e. Press the sign to the wall making firm contact between the foam tape and the wall surface. Apply enough pressure to ensure that there are no air pockets between the foam tape and wall. Note: In humid conditions or when signs are not adhering with foam tape, the installation may require the addition of PL Premium Adhesive. One 10.1-ounce tube of adhesive will adhere 30 - 8" x 8" signs. (Two 1/4" x 6" beads of adhesive per sign.)

FIG. 2



*Installation tip when installing signs on walls painted with Low or Zero VOC paints.*

Signs adhered to walls painted with Low or Zero VOC paints may have adhesion problems when using foam tapes. To improve adhesion follow the steps listed below:

1. Apply de-natured alcohol to a clean soft cloth. Wipe the installation area on the wall with the de-natured alcohol.
2. Allow the wall to completely dry.
3. Once the wall is completely dry, remove the release liner from the foam tape on the sign. Position the sign at the correct height on the wall making sure it is level. Press the sign to the wall making firm contact between the wall and each piece of foam tape, ensuring that there are no air pockets between the foam tape and wall.

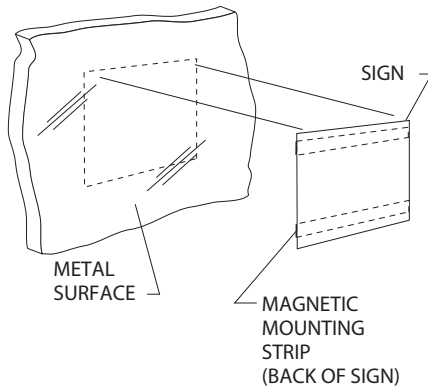
Caution: De-natured alcohol is a flammable liquid. Completely read the label, safety data sheet and follow all safety pre-cautions when using this solvent. Test the use of de-natured alcohol in an inconspicuous area of the wall to make sure the paint is not damaged.

IPC.970/REV.13

# Installation Instructions

## Unframed Wall Mount Signage

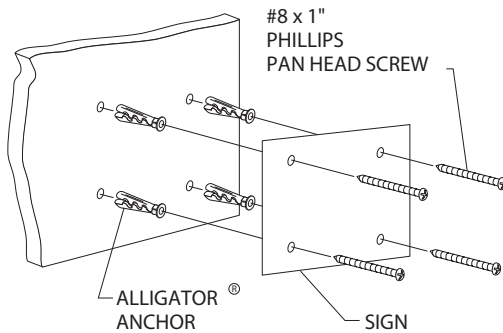
FIG. 3



### 3. MAGNETIC MOUNTING STRIPS (See Figure 3)

- The wall must be dry, well sealed and free of dirt, loose paint, wax and grease
- Mark the location of the sign on the metal surface.
- Position the sign making sure that the sign is level.
- Press the sign to the surface.

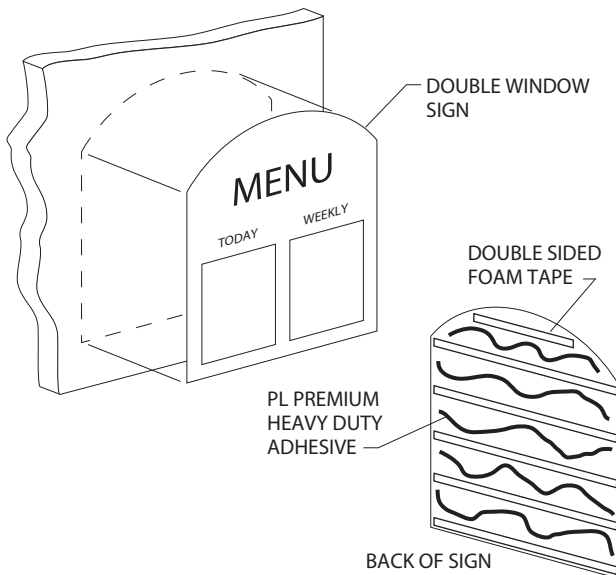
FIG. 4



### 4. SCREW MOUNT (See Figure 4)

- The wall must be dry, well sealed and free of dirt, loose paint, wax and grease
- Determine the sign location on the wall.
- Use the sign as a template for mounting hole location. Transfer the mounting holes to the wall with a marker.
- Drill 1/4" holes on the wall for the Alligator anchors and push the anchor into the holes.
- Attach sign to the wall with #8 x 1" Phillips pan head screws into the Alligator anchor.

FIG. 5



### 5. BIOPRISM™ SOLID SURFACE Sign, Today's Direction Sign, Triple Window Sign, Staffing Indicator Sign, Double Window Sign, Photopolymer Laminate Sign and Laminate Sign (See Figure 5)

- The wall must be dry, well sealed and free of dirt, loose paint, wax and grease.
- Mark the location of the sign on the wall.
- Sign is applied using a combination of PL Premium Heavy Duty Adhesive and double sided foam tape. Apply beads of PL Premium between the strips of foam in a zigzag pattern. Remove release liner from the double sided foam tape.
- Position the sign on the wall making sure that the sign is level.
- Press the sign to the wall making firm contact between the adhesive/foam tape and the wall surface.