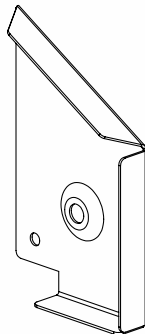
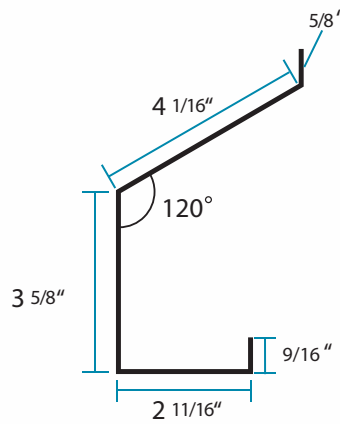


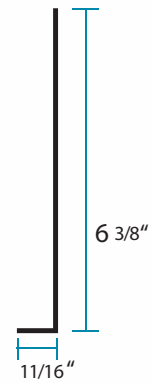
**Left Bracket
Plate**



**Right Bracket
Plate**



Security Box



Back Plate

Security Box to be 24 gauge galvanized steel unless specified. Standard powder-coat of security box and back plate available in white, off-white, beige or bronze. Additional powder-coat colors available, charges may apply.

Industry standard 1/4" space between fabric and track required for proper operation. Privacy mullion quoted upon request.